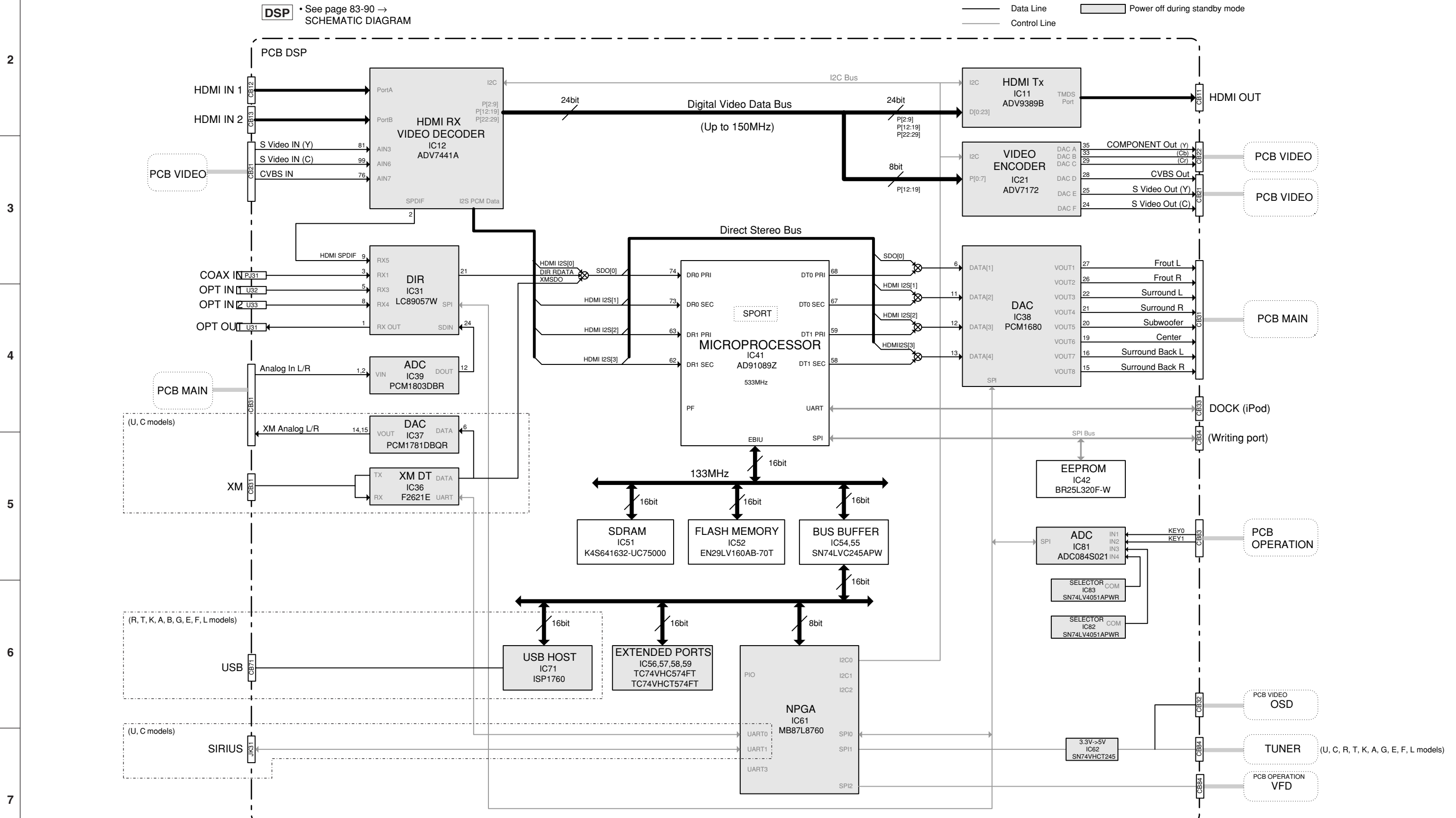
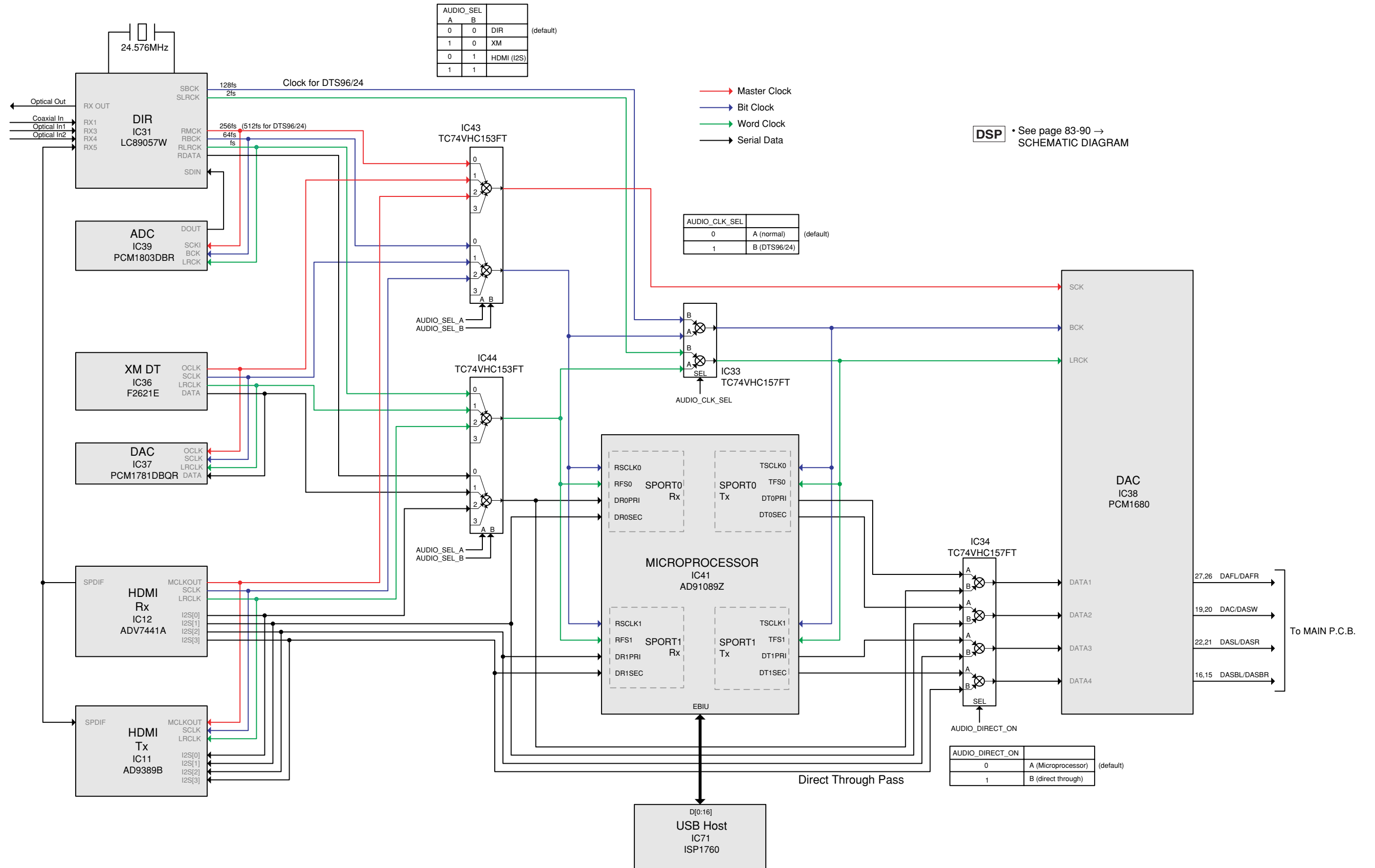


1 ■ BLOCK DIAGRAMS

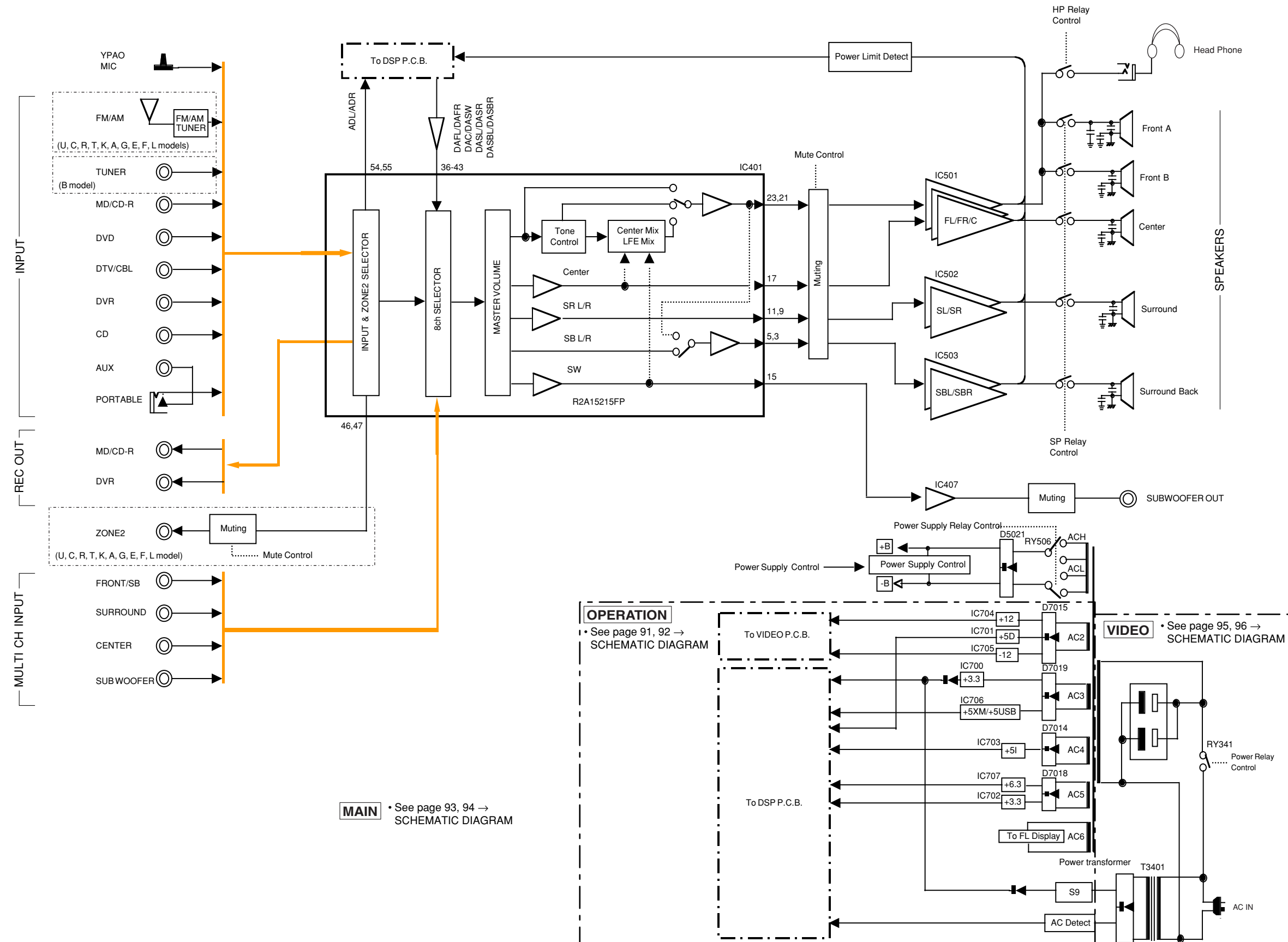
AUDIO (DIGITAL) SECTION BLOCK DIAGRAM



DSP CONTROL SECTION BLOCK DIAGRAM



AUDIO (ANALOG) / POWER SUPPLY SECTION BLOCK DIAGRAM



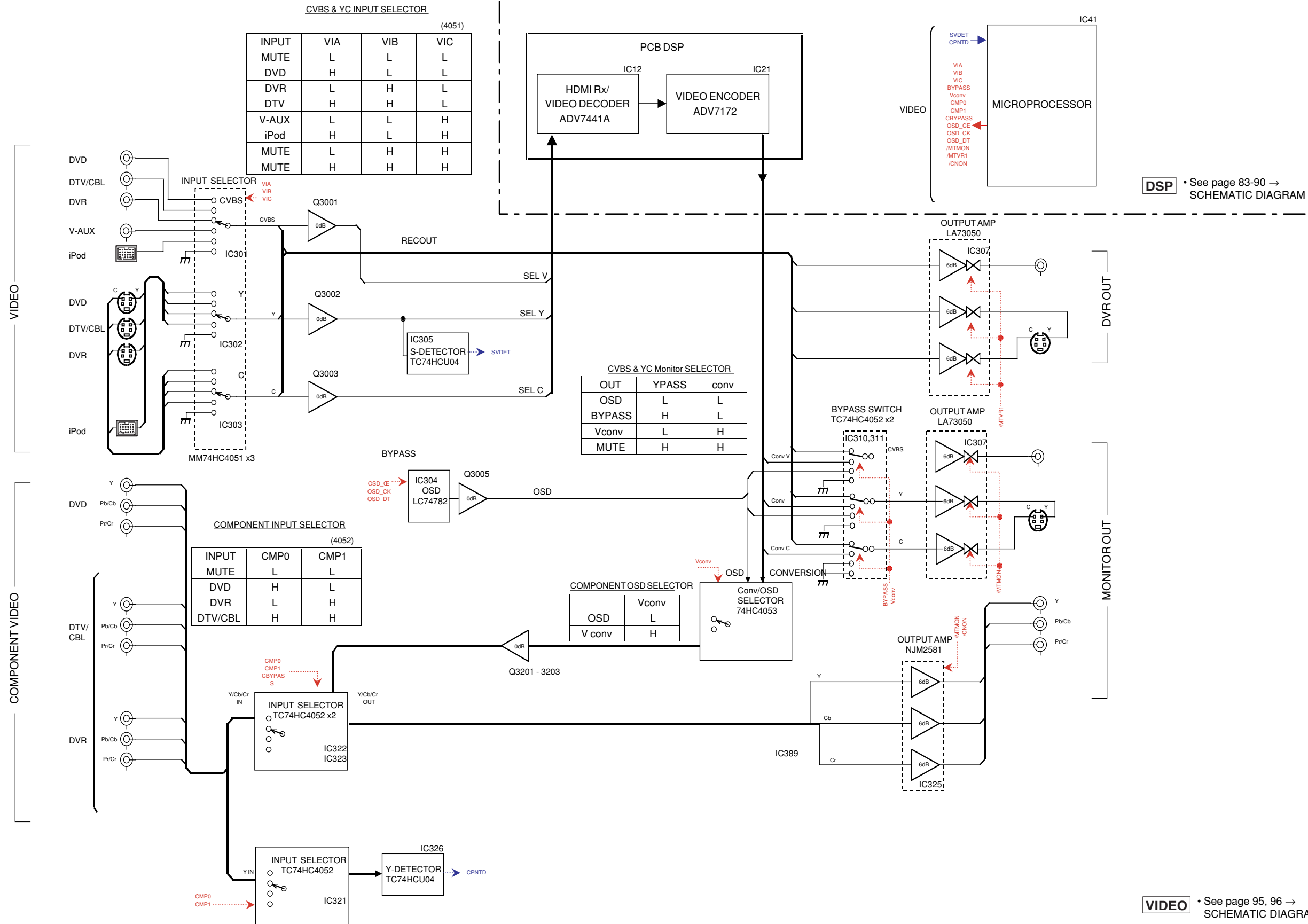
MAIN • See page 93, 94 → SCHEMATIC DIAGRAM

OPERATION
• See page 91, 92 → SCHEMATIC DIAGRAM

VIDEO • See page 95, 96 → SCHEMATIC DIAGRAM

1
2
3
4
5
6
7

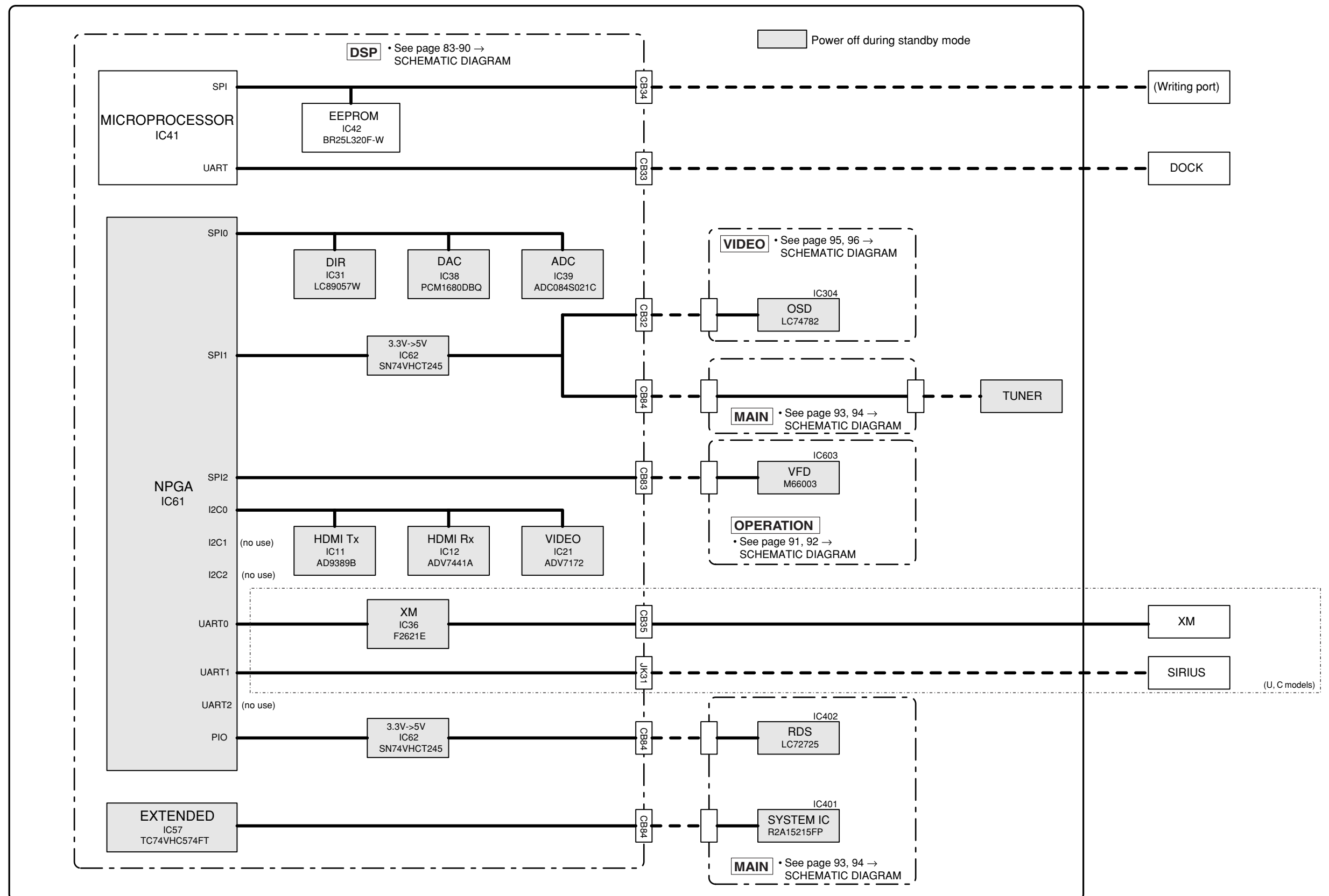
VIDEO SECTION BLOCK DIAGRAM

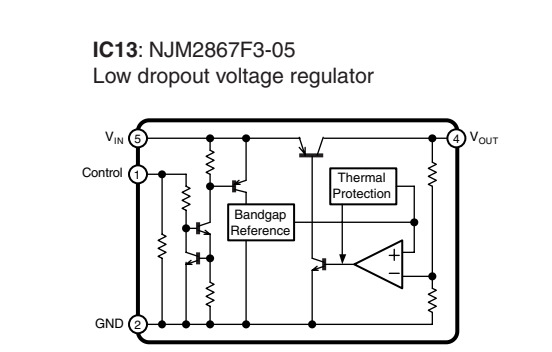
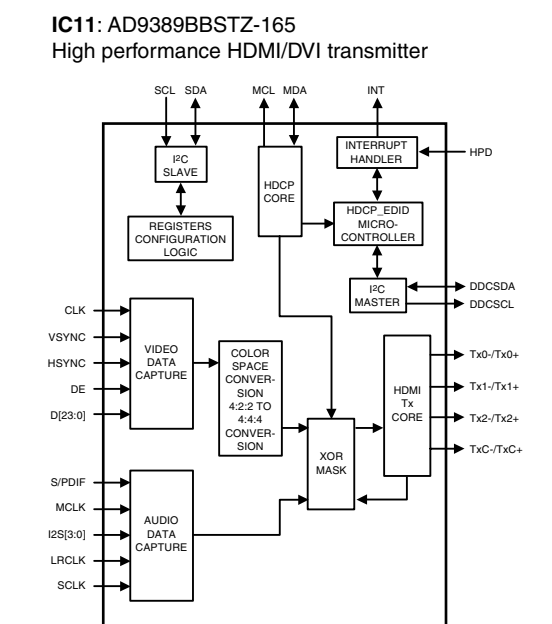
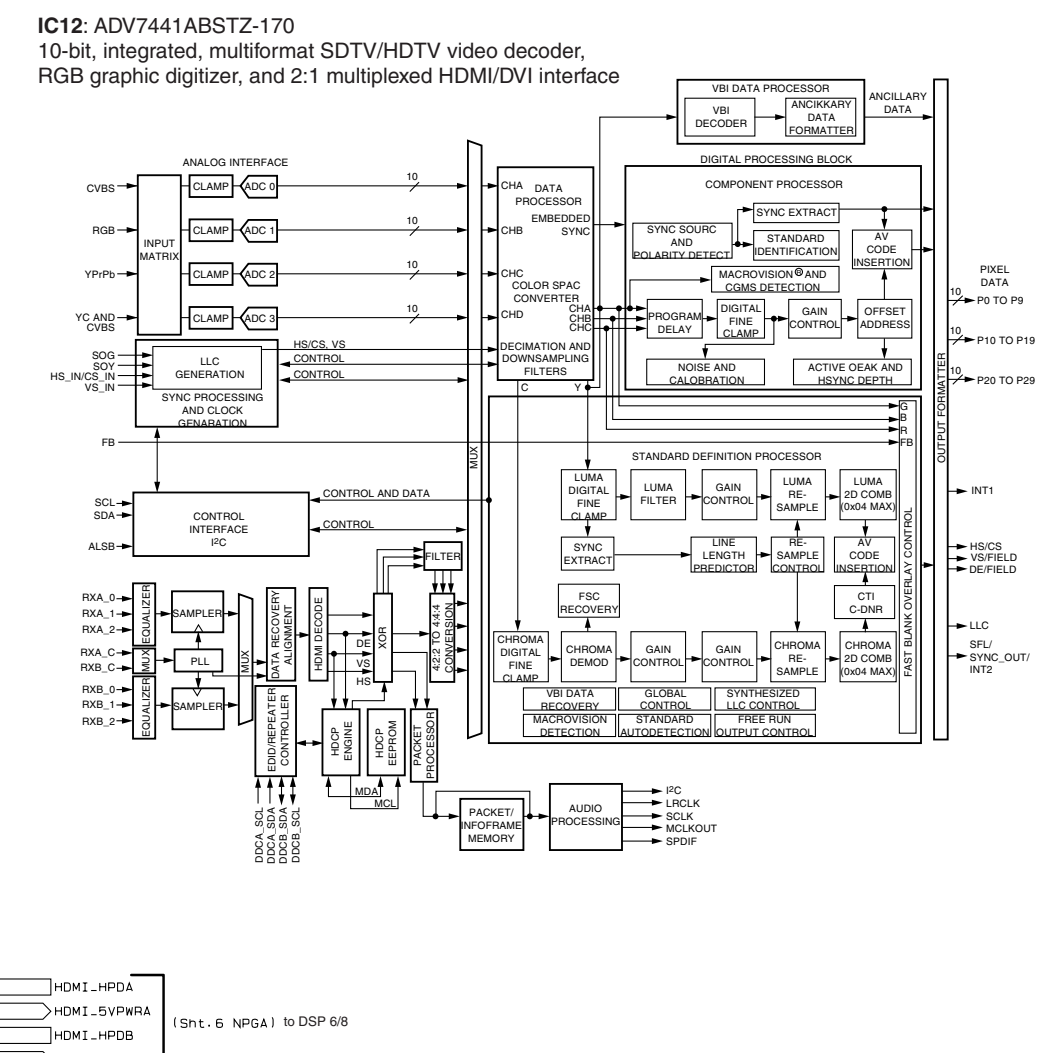
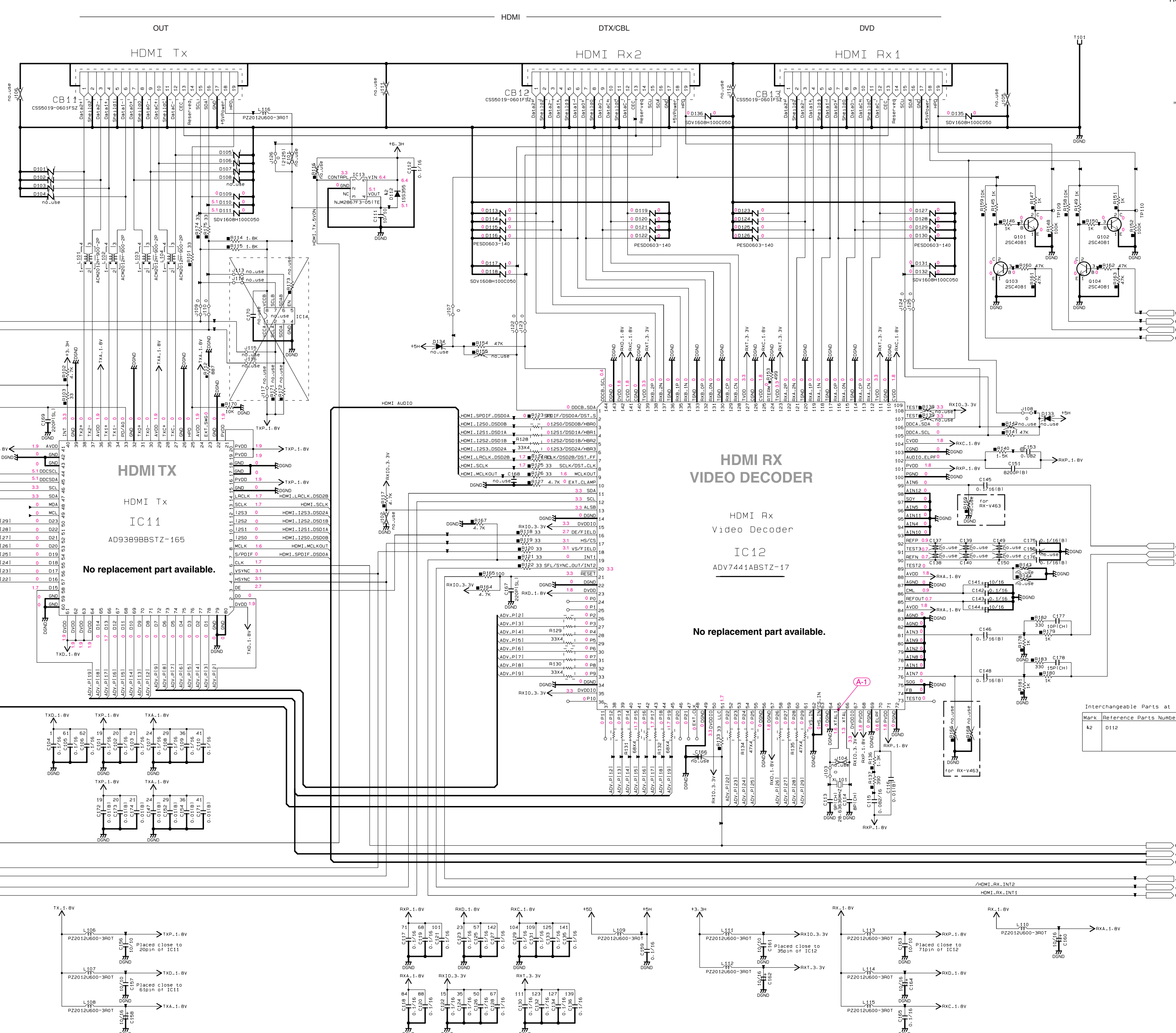


DSP • See page 83-90 → SCHEMATIC DIAGRAM

VIDEO • See page 95, 96 → SCHEMATIC DIAGRAM

CONTROL SECTION BLOCK DIAGRAM





Interchangeable Parts at Manufacture-Stage

Mark	Reference Parts Number	Parts Name
42	D152	155395
		MA2J110GL

RESISTOR

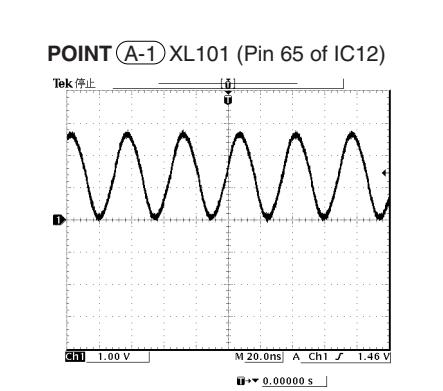
REMARKS	PARTS NAME
NO MARK	CARBON FILM RESISTOR (P=5)
□	CARBON FILM RESISTOR (P=10)
△	METAL OXIDE FILM RESISTOR
▴	METAL FILM RESISTOR
▾	METAL PLATE RESISTOR
⊠	FIRE PROOF CARBON FILM RESISTOR
□	CEMENT MOLDED RESISTOR
⊞	SEMI VARIABLE RESISTOR
■	CHIP RESISTOR

CAPACITOR

REMARKS	PARTS NAME
NO MARK	ELECTROLYTIC CAPACITOR
⊗	TANTALUM CAPACITOR
●	CERAMIC CAPACITOR
⊙	POLYESTER FILM CAPACITOR
⊚	POLYSTYRENE FILM CAPACITOR
Ⓜ	MICA CAPACITOR
⊕	POLYPROPYLENE FILM CAPACITOR
⊖	SEMICONDUCTIVE CERAMIC CAPACITOR

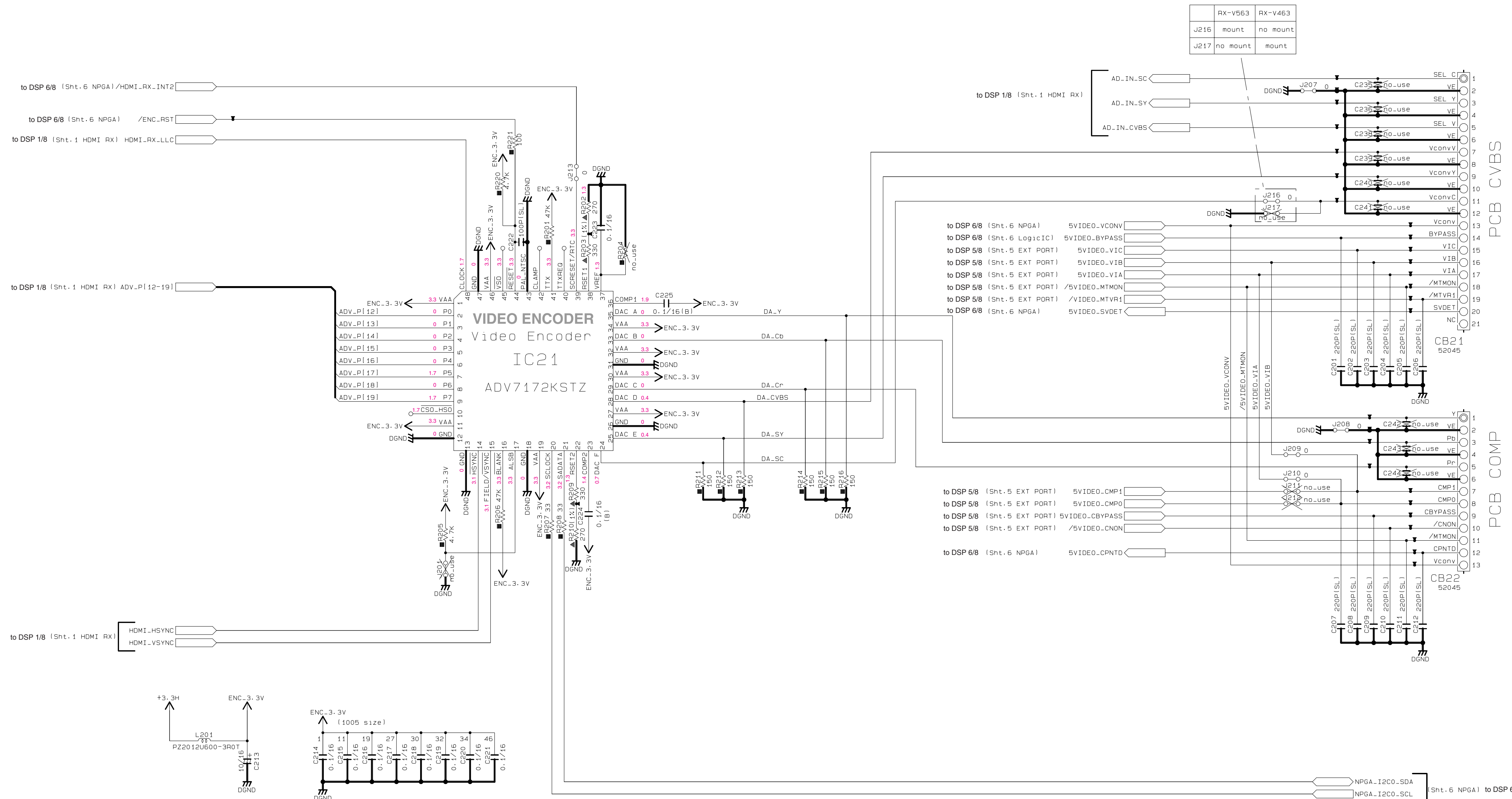
NOTICE (mode11)

(J)..... JAPAN
(U)..... U.S.A.
(C)..... CANADA
(R)..... GENERAL
(T)..... CHINA
(K)..... KOREA
(A)..... AUSTRALIA
(B)..... BRITISH
(G)..... EUROPE
(L)..... SINGAPORE
(E)..... SOUTH EUROPE
(V)..... TAIWAN
(F)..... RUSSIAN



★ All voltages are measured with a 10MΩ/V DC electronic voltmeter.
★ Components having special characteristics are marked !, and must be replaced with parts having specifications equal to those originally installed.
★ Schematic diagram is subject to change without notice.

DSP 2/8



	RX-V563	RX-V463
J216	mount	no mount
J217	no mount	mount

Page 95 [K4]
to VIDEO (1)_CB303

Page 96 [D1]
to VIDEO (2)_CB326

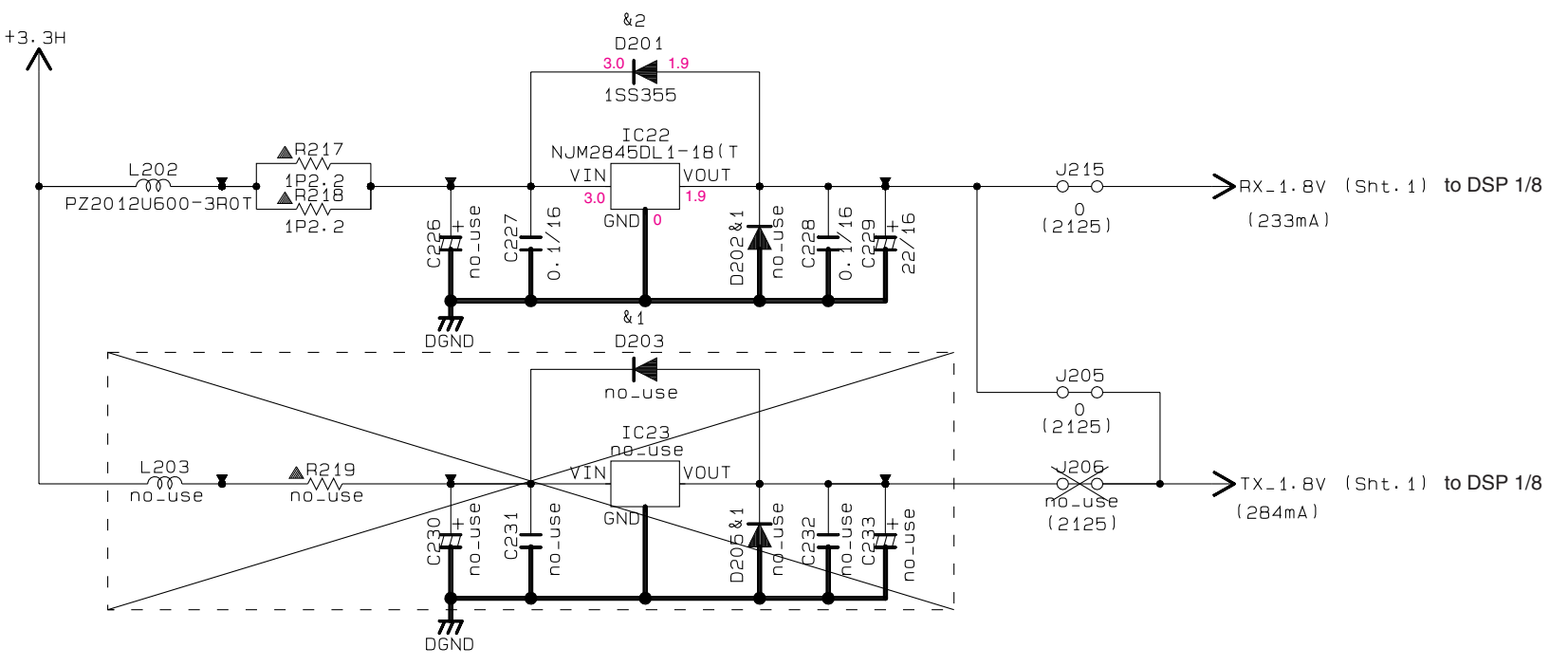
Interchangeable Parts at Manufacture-Stage

Mark	Reference Parts Number	Parts Name
k2	D201	1SS355
		MA2J1110GL

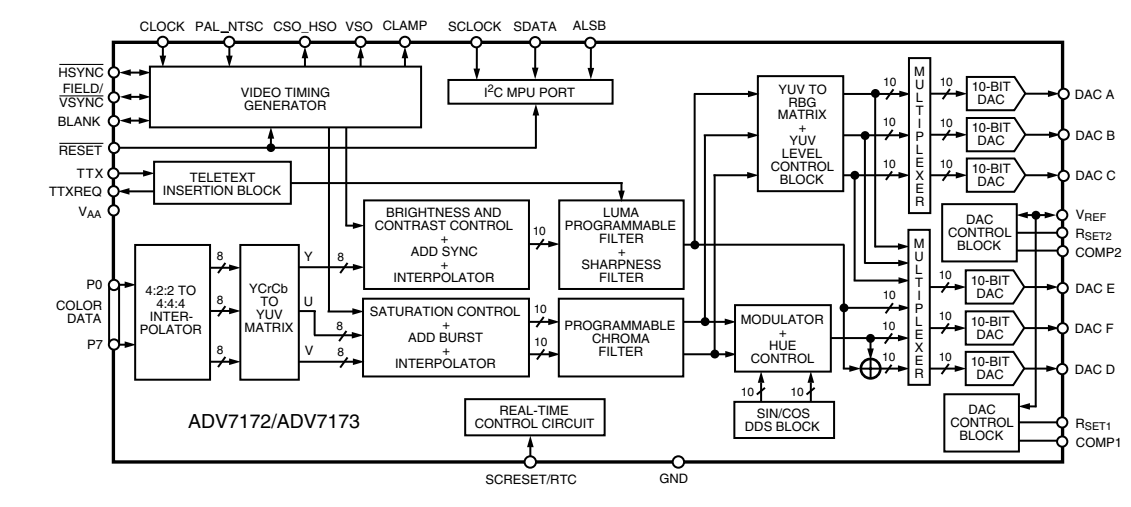
REMARKS	PARTS NAME
NO MARK	CARBON FILM RESISTOR (P=5)
□	CARBON FILM RESISTOR (P=10)
△	METAL OXIDE FILM RESISTOR
⊗	METAL FILM RESISTOR
⊙	METAL PLATE RESISTOR
▨	FIRE PROOF CARBON FILM RESISTOR
⊞	CEMENT MOLDED RESISTOR
⊚	SEMI VARIABLE RESISTOR
■	CHIP RESISTOR

REMARKS	PARTS NAME
NO MARK	ELECTROLYTIC CAPACITOR
⊗	TANTALUM CAPACITOR
NO MARK	CERAMIC CAPACITOR
⊙	CERAMIC TUBULAR CAPACITOR
⊚	POLYESTER FILM CAPACITOR
○	POLYSTYRENE FILM CAPACITOR
⊖	MICA CAPACITOR
⊕	POLYPROPYLENE FILM CAPACITOR
⊙	SEMICONDUCTIVE CERAMIC CAPACITOR

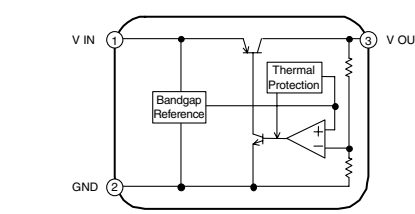
NOTICE [mode1]
(J)..... JAPAN
(U)..... U.S.A
(C)..... CANADA
(R)..... GENERAL
(T)..... CHINA
(K)..... KOREA
(A)..... AUSTRALIA
(B)..... BRITISH
(G)..... EUROPE
(L)..... SINGAPORE
(E)..... SOUTH EUROPE
(V)..... TAIWAN
(F)..... RUSSIAN



IC21: ADV7172KSTZ
Digital PAL/NTSC video encoder



IC22: NJM2845DL1-18
Low dropout voltage regulator



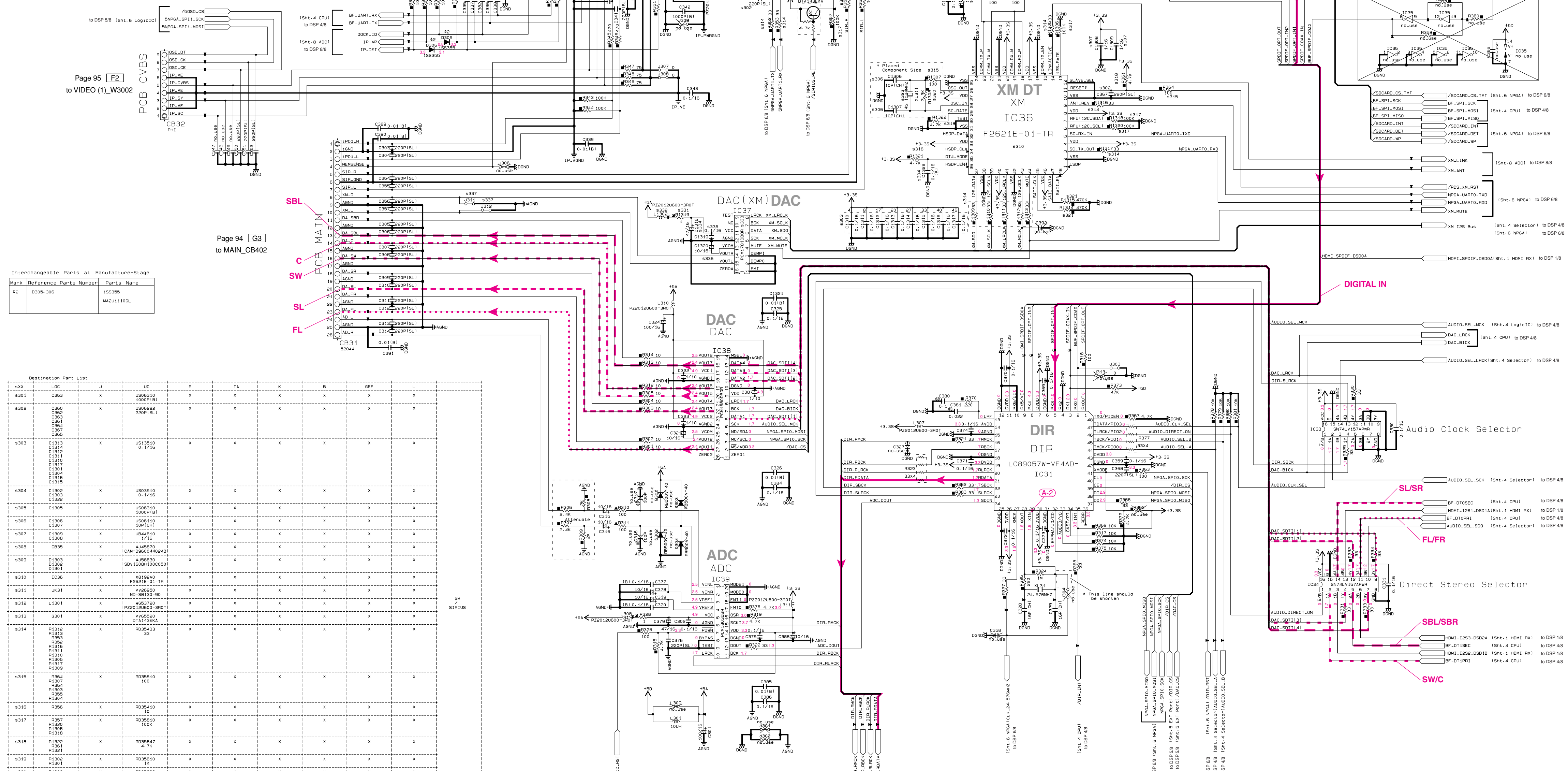
* All voltages are measured with a 10MΩ/V DC electronic voltmeter.
* Components having special characteristics are marked ⚡, and must be replaced with parts having specifications equal to those originally installed.
* Schematic diagram is subject to change without notice.

DSP 3/8

REMARKS	PARTS NAME	REMARKS	PARTS NAME
NO MARK	CARBON FILM RESISTOR (P-5)	NO MARK	ELECTROLYTIC CAPACITOR
□	METAL OXIDE FILM RESISTOR (P-10)	⊗	TANTALUM CAPACITOR
△	METAL FILM RESISTOR	⊙	CERAMIC TUBULAR CAPACITOR
▴	METAL PLATE RESISTOR	⊖	POLYESTER FILM CAPACITOR
▾	FIRE PROOF CARBON FILM RESISTOR	⊕	POLYSTYRENE FILM CAPACITOR
⊖	CEMENT MOLDED RESISTOR	⊗	MICA CAPACITOR
⊕	SEMI-VARIABLE RESISTOR	⊙	POLYPROPYLENE FILM CAPACITOR
■	CHIP RESISTOR	⊗	SEMICONDUCTIVE CERAMIC CAPACITOR

NOTICE (model1)
 (J)..... JAPAN
 (U)..... U.S.A
 (C)..... CANADA
 (R)..... GENERAL
 (T)..... CHINA
 (K)..... KOREA
 (A)..... AUSTRALIA
 (B)..... BRITISH
 (G)..... EUROPE
 (L)..... SINGAPORE
 (E)..... SOUTH EUROPE
 (V)..... TAIWAN
 (F)..... RUSSIAN

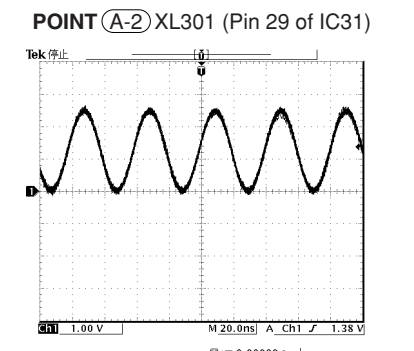
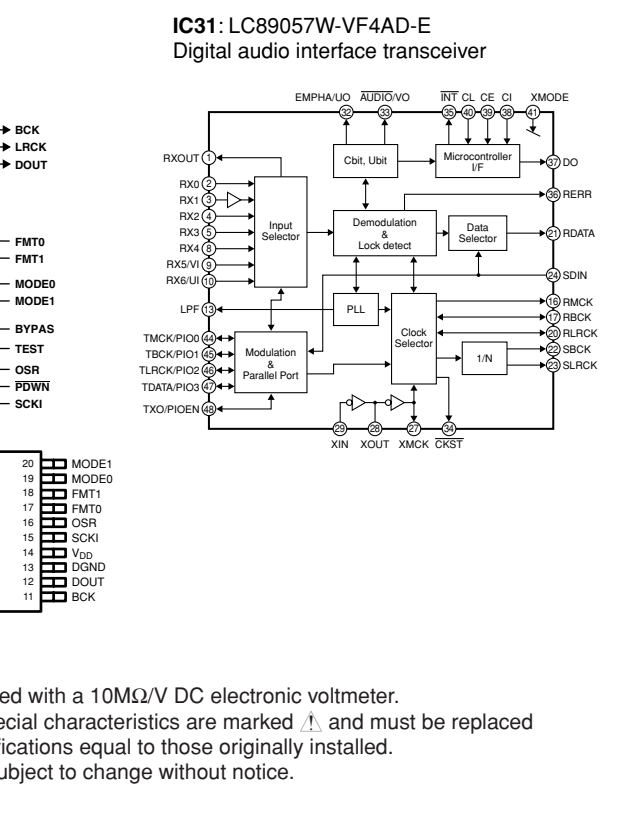
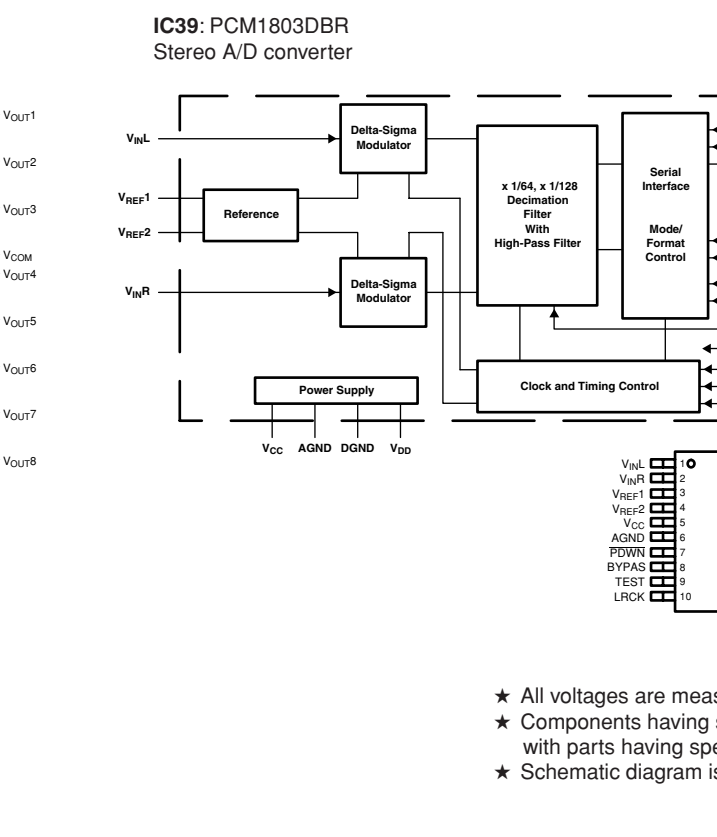
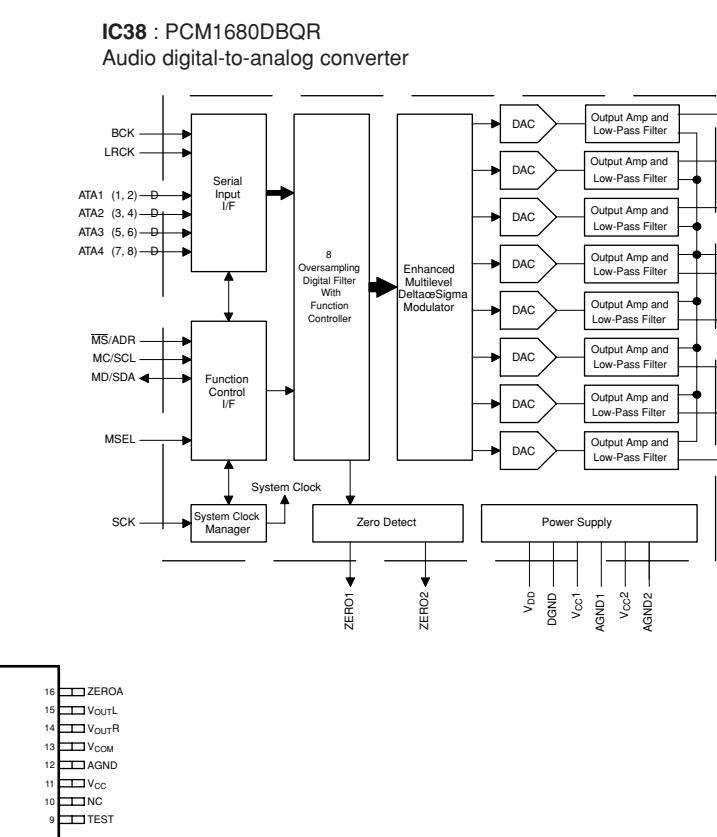
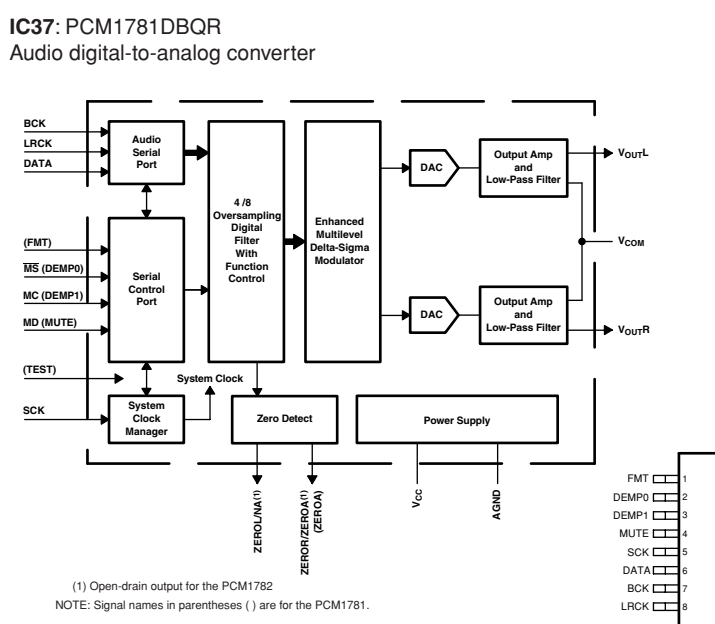
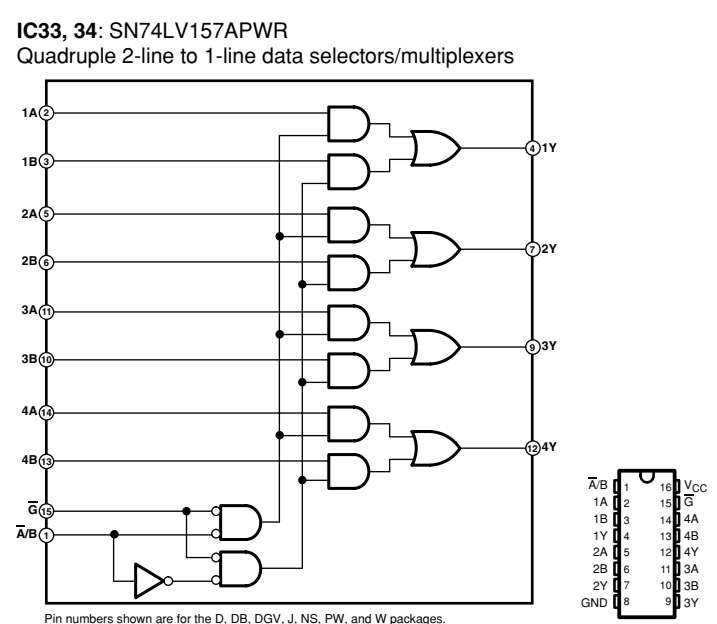
No replacement part available.



Interchangeable Parts at Manufacture-Stage

Mark	Reference Parts Number	Parts Name
82	D305-306	MAJ11100L

Destination Part List	LOC	QTY	UC	R	TA	X	B	DEF	L
8301	C353	X	US06330 1000P181	X	X	X	X	X	X
8302	C362	X	US06309 200P1511	X	X	X	X	X	X
8303	C1313	X	US13910 0.1F16	X	X	X	X	X	X
8304	C1303	X	US03910 0.1F16	X	X	X	X	X	X
8305	C1309	X	US03910 100P181	X	X	X	X	X	X
8306	C1307	X	US03910 100P181	X	X	X	X	X	X
8307	C1309	X	US03910 100P181	X	X	X	X	X	X
8308	C355	X	W45870 CAM-D0600440248	X	X	X	X	X	X
8309	C1309	X	US03910 100P181	X	X	X	X	X	X
8310	C356	X	X810240 SDV160B100C050	X	X	X	X	X	X
8311	JK31	X	F2621E-01-TR MD-S8130-90	X	X	X	X	X	X
8312	L1301	X	WD37370 P220120U600-390T	X	X	X	X	X	X
8313	G301	X	VW69220 D141484A	X	X	X	X	X	X
8314	R1313	X	RD35493 33	X	X	X	X	X	X
8315	R1307	X	RD35510 100	X	X	X	X	X	X
8316	R1304	X	RD35410 100K	X	X	X	X	X	X
8317	R1300	X	RD35610 100K	X	X	X	X	X	X
8318	R1301	X	RD35647 4.7K	X	X	X	X	X	X
8319	R1302	X	RD35610 1K	X	X	X	X	X	X
8320	R1308	X	RD35633 3.3K	X	X	X	X	X	X
8321	R1315	X	RD35647 4.7K	X	X	X	X	X	X
8322	S131	X	W566800 46.1584MHz	X	X	X	X	X	X
8323	X1311	X	W462930 46.1584MHz	X	X	X	X	X	X
8324	R1319	X	HV76310 10K	X	X	X	X	X	X
8325	L1302	X	WD37370 P220120U600-390T	X	X	X	X	X	X
8326	IC37	X	Y73730 PCM1781DBQR	X	X	X	X	X	X
8327	C1318	X	US13910 47F16	X	X	X	X	X	X
8328	C1319	X	US13910 0.1F16	X	X	X	X	X	X
8329	C1320	X	US03910 100P181	X	X	X	X	X	X
8330	C1320	X	US03910 100P181	X	X	X	X	X	X
8331	J311	X	US13910 0.1F16	X	X	X	X	X	X
8332	C344	X	US13910 0.1F16	X	X	X	X	X	X
8333	L302	X	W462970 P220120U600-390T	X	X	X	X	X	X
8334	U31	X	W462970 GP1FV51TK0F	X	X	X	X	X	X



* All voltages are measured with a 10MΩ/V DC electronic voltmeter.
 * Components having special characteristics are marked !, and must be replaced with parts having specifications equal to those originally installed.
 * Schematic diagram is subject to change without notice.

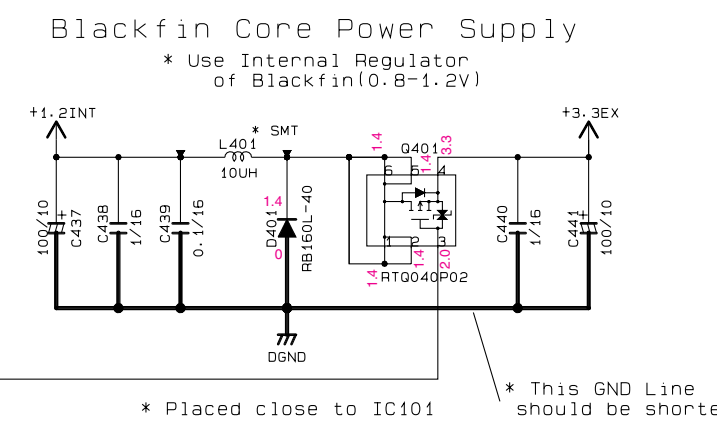
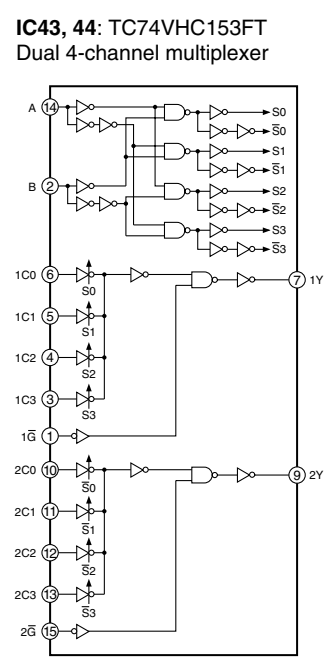
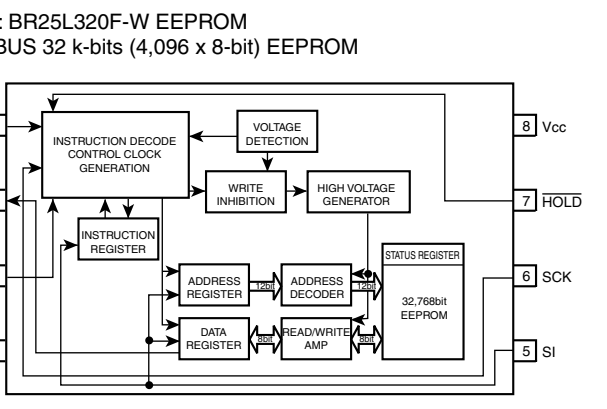
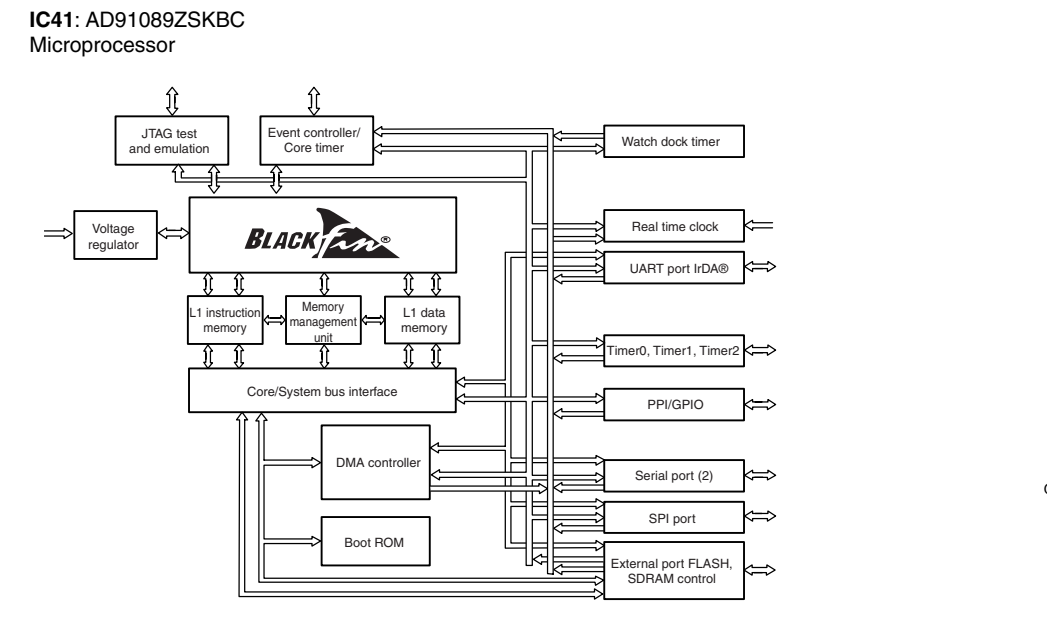
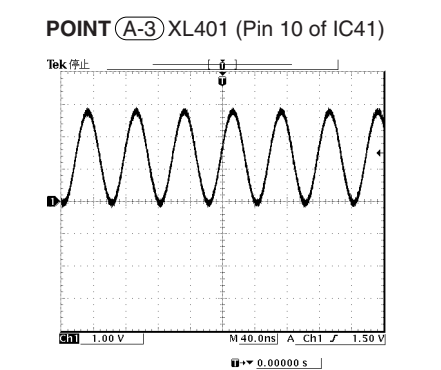
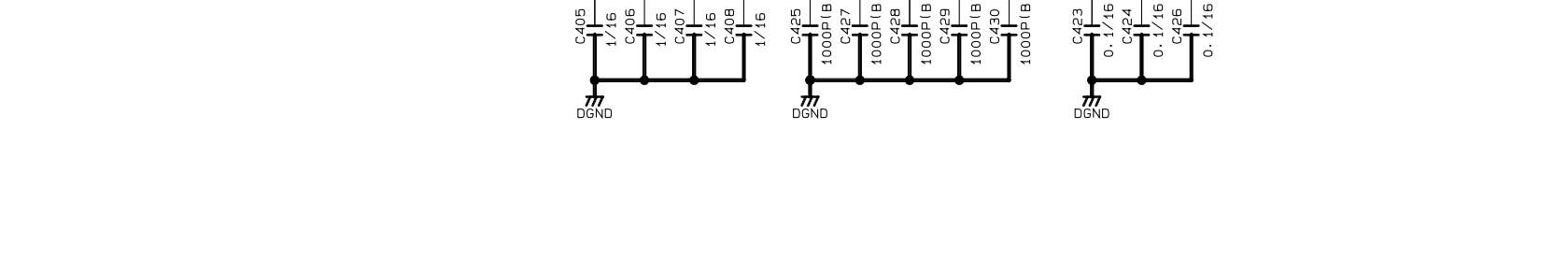
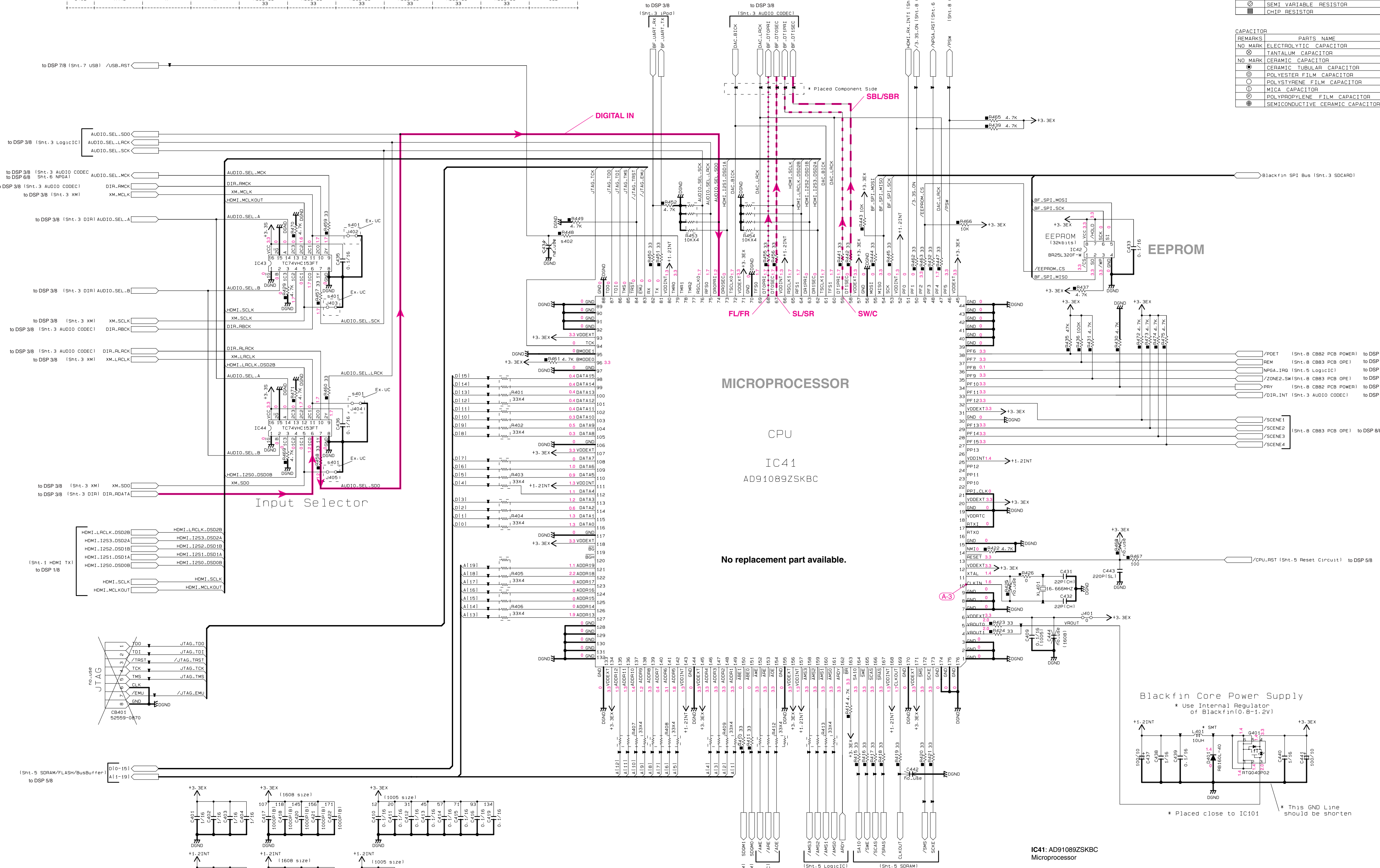
DSP 4/8

Destination Part List										
sxx	LOC	J	UC	R	TA	K	B	GEF	L	
s401	J404	R035000	X	R035000	R035000	R035000	R035000	R035000	R035000	XM
s402	R448	X	X	R035433	R035433	R035433	R035433	R035433	R035433	USB

REMARKS	PARTS NAME
NO MARK	CARBON FILM RESISTOR [P=5]
⊠	CARBON FILM RESISTOR [P=10]
⊡	METAL OXIDE FILM RESISTOR
⊢	METAL FILM RESISTOR
⊣	METAL PLATE RESISTOR
⊤	FINE PROOF CARBON FILM RESISTOR
⊥	CEMENT MOLDED RESISTOR
⊦	SEMI VARIABLE RESISTOR
⊧	CHIP RESISTOR

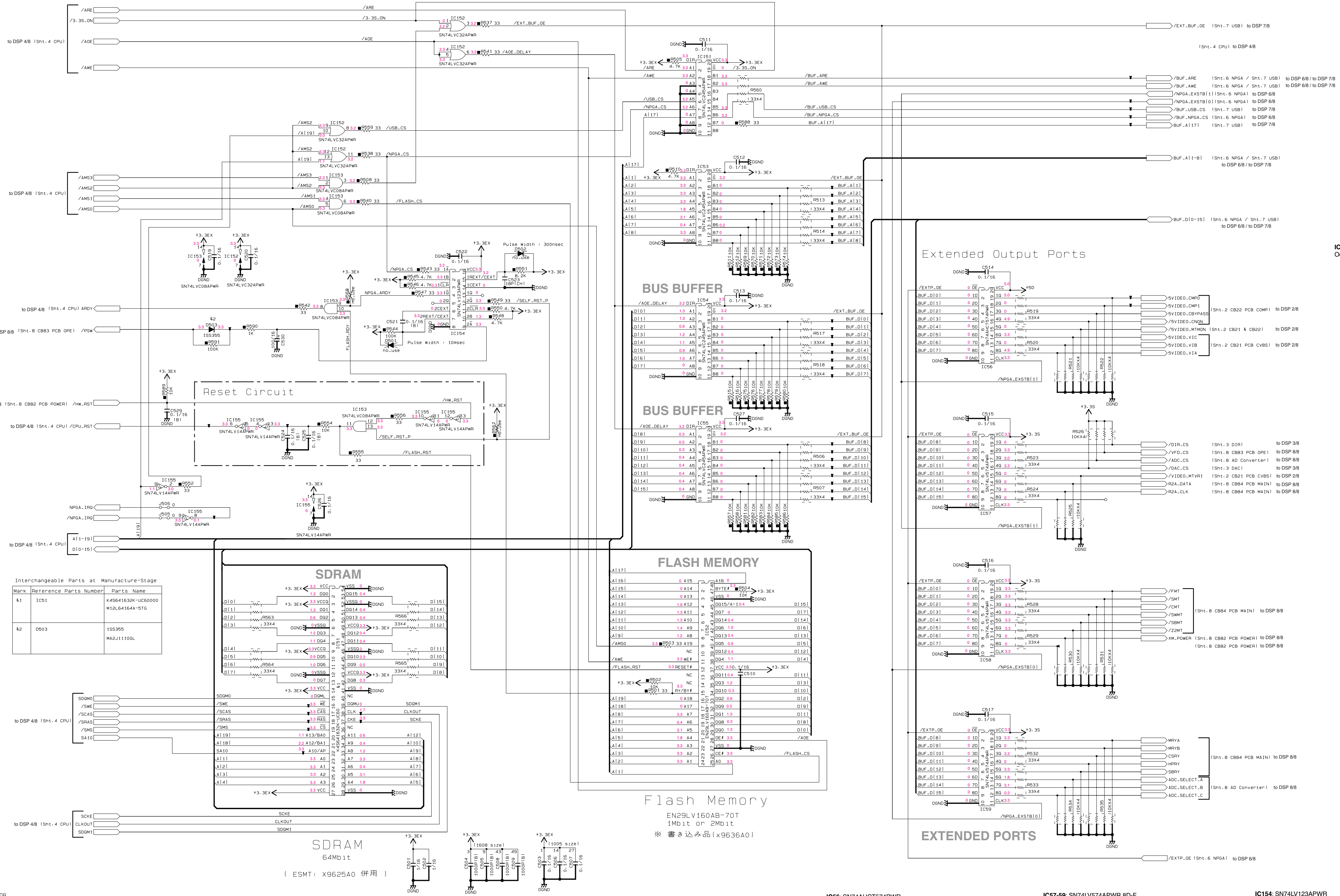
REMARKS	PARTS NAME
NO MARK	ELECTROLYTIC CAPACITOR
⊠	TANTALUM CAPACITOR
⊡	CERAMIC CAPACITOR
⊢	CERAMIC TUBULAR CAPACITOR
⊣	POLYESTER FILM CAPACITOR
⊤	POLYPROPYLENE FILM CAPACITOR
⊥	MICA CAPACITOR
⊦	POLYPROPYLENE FILM CAPACITOR
⊧	SEMICONDUCTIVE CERAMIC CAPACITOR

REMARKS	PARTS NAME
(J)	JAPAN
(U)	U.S.A
(C)	CANADA
(R)	GENERAL
(T)	CHINA
(K)	KOREA
(A)	AUSTRALIA
(B)	BRITISH
(G)	EUROPE
(L)	SINGAPORE
(E)	SOUTH EUROPE
(V)	TAIWAN
(F)	RUSSIAN



* All voltages are measured with a 10MΩ/V DC electronic voltmeter.
 * Components having special characteristics are marked with a triangle and must be replaced with parts having specifications equal to those originally installed.
 * Schematic diagram is subject to change without notice.

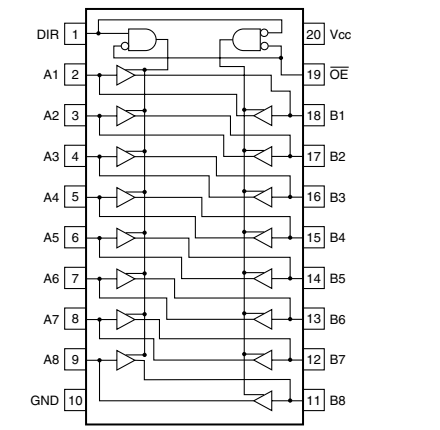
DSP 5/8



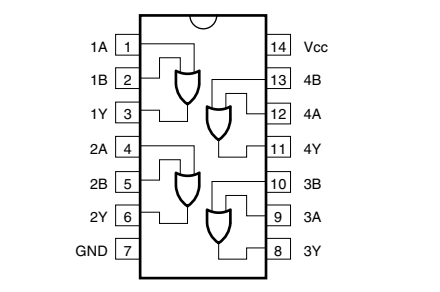
NOTICE (model)

(J)..... JAPAN
 (U)..... U.S.A
 (C)..... CANADA
 (R)..... GENERAL
 (T)..... CHINA
 (K)..... KOREA
 (A)..... AUSTRALIA
 (B)..... BRITISH
 (G)..... EUROPE
 (L)..... SINGAPORE
 (E)..... SOUTH EUROPE
 (V)..... TAIWAN
 (F)..... RUSSIAN

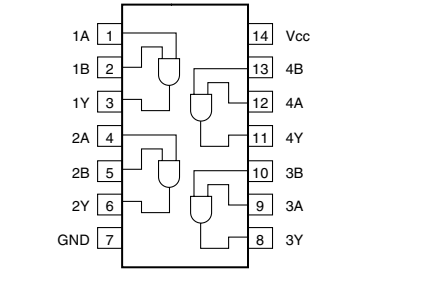
IC55-55: SN74V1423APWR
 Octal bus transceivers with 3-state outputs



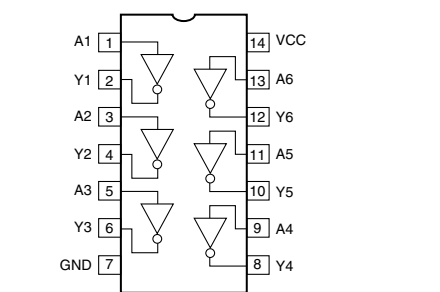
IC152: SN74V1423APWR
 Quadrate 2-input positive-OR gates



IC153: SN74V1423APWR
 Quadrate 2-input positive-AND gate

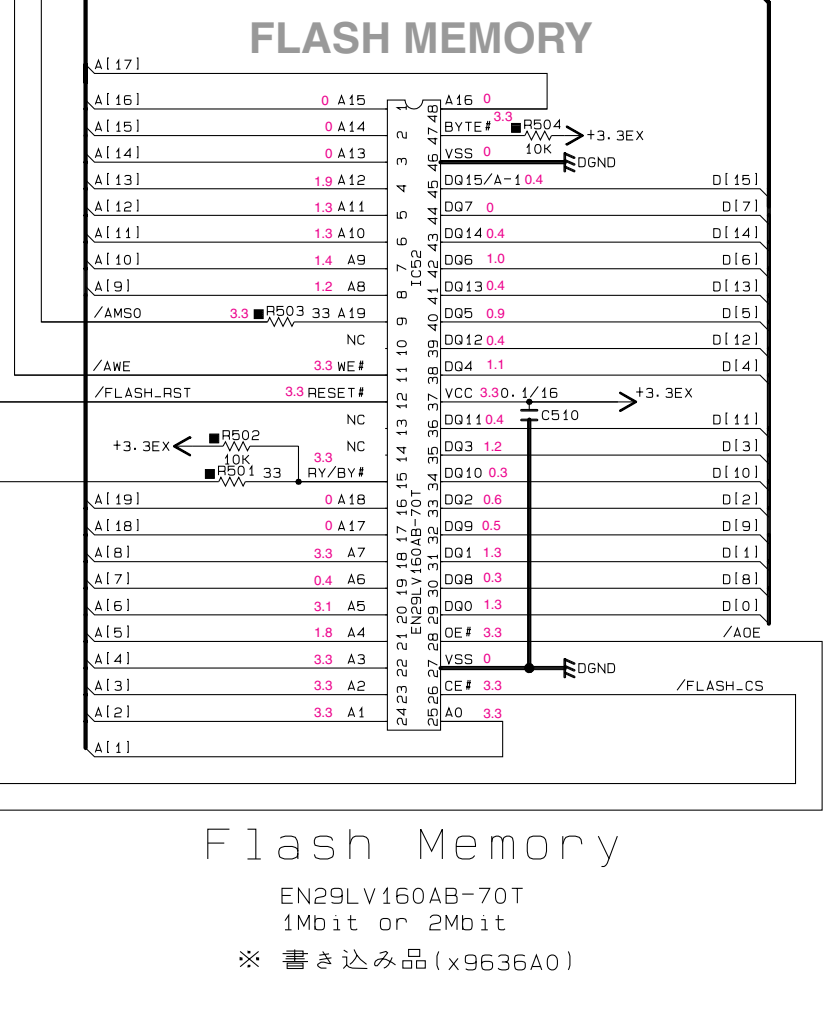
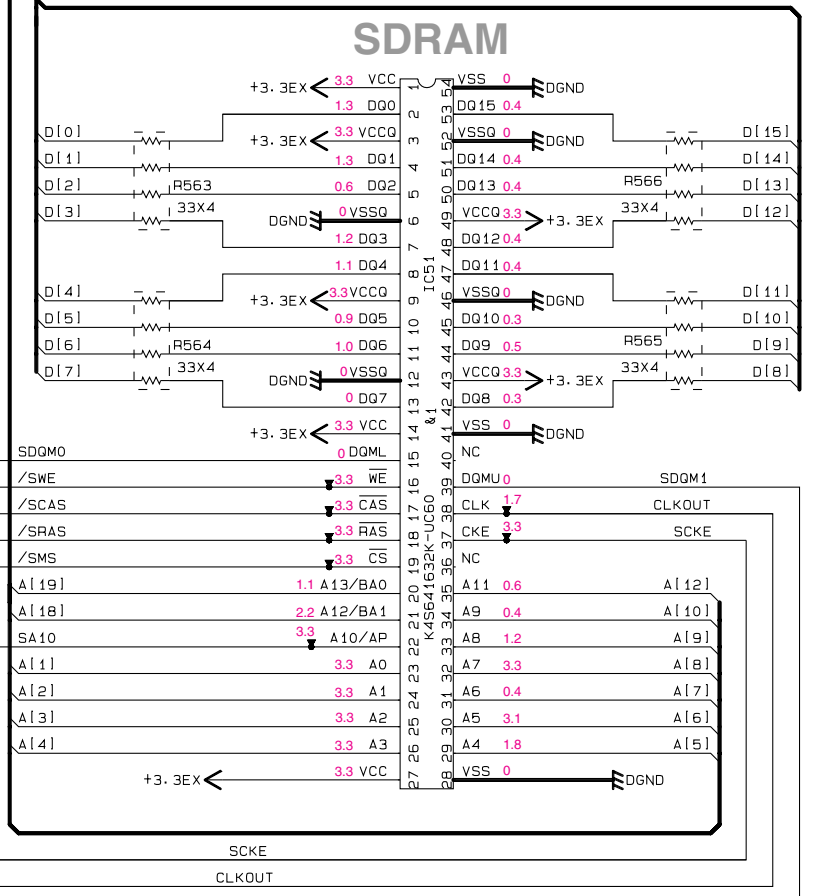


IC155: SN74V1423APWR
 Hex schmitt trigger inverters



Interchangeable Parts at Manufacture-Stage

Mark	Reference Parts Number	Parts Name
k1	IC51	K45641632K-UC60000 M12L64164A-5TG
k2	D603	1SS395 MA2J1100L

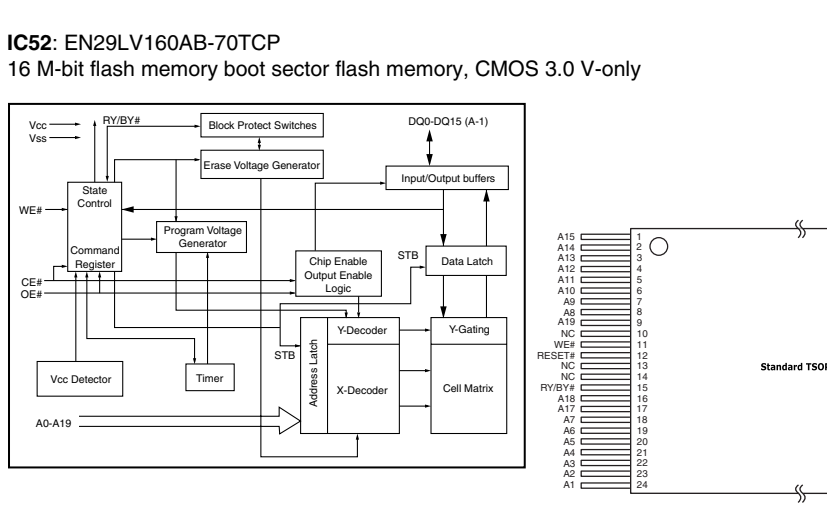
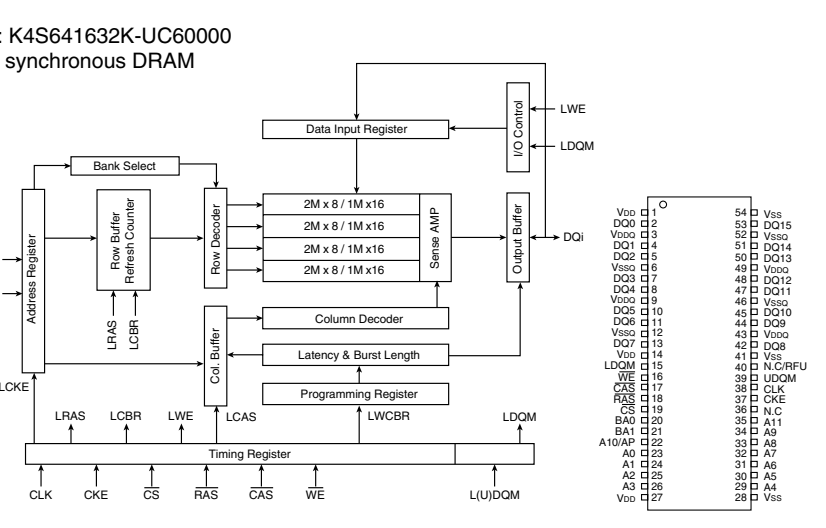


RESISTOR

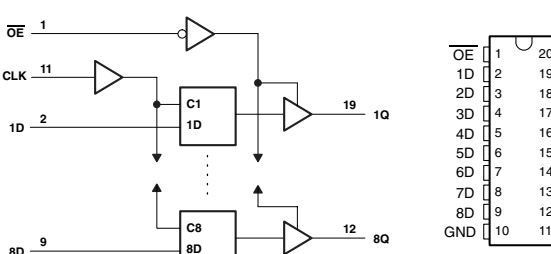
REMARKS	PARTS NAME
NO MARK	CARBON FILM RESISTOR (P=5)
□	CARBON FILM RESISTOR (P=10)
△	METAL OXIDE FILM RESISTOR
▲	METAL FILM RESISTOR
○	METAL PLATE RESISTOR
◇	FINE PROOF CARBON FILM RESISTOR
□	CEMENT MOLDED RESISTOR
■	SEMI VARIABLE RESISTOR
■	CHIP RESISTOR

CAPACITOR

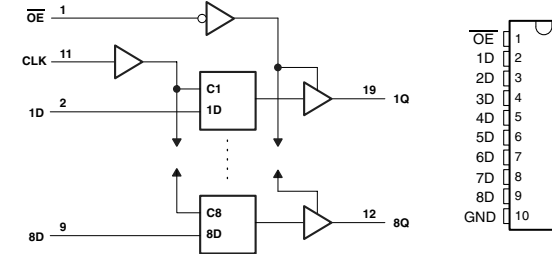
REMARKS	PARTS NAME
NO MARK	ELECTROLYTIC CAPACITOR
○	TANTALUM CAPACITOR
NO MARK	CERAMIC CAPACITOR
●	CERAMIC TUBULAR CAPACITOR
○	POLYESTER FILM CAPACITOR
○	POLYSTYRENE FILM CAPACITOR
○	MICA CAPACITOR
○	POLYPROPYLENE FILM CAPACITOR
○	SEMICONDUCTIVE CERAMIC CAPACITOR



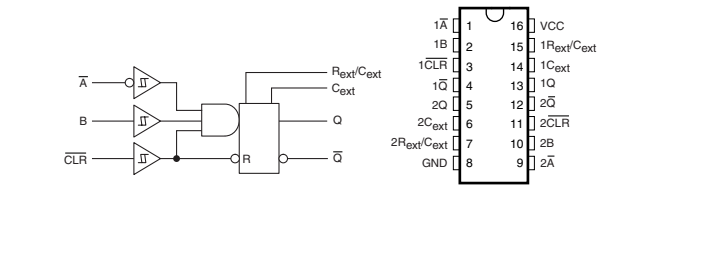
IC56: SN74AHC174PWR
 Octal edge-triggered D-type flip-flops with 3-state outputs



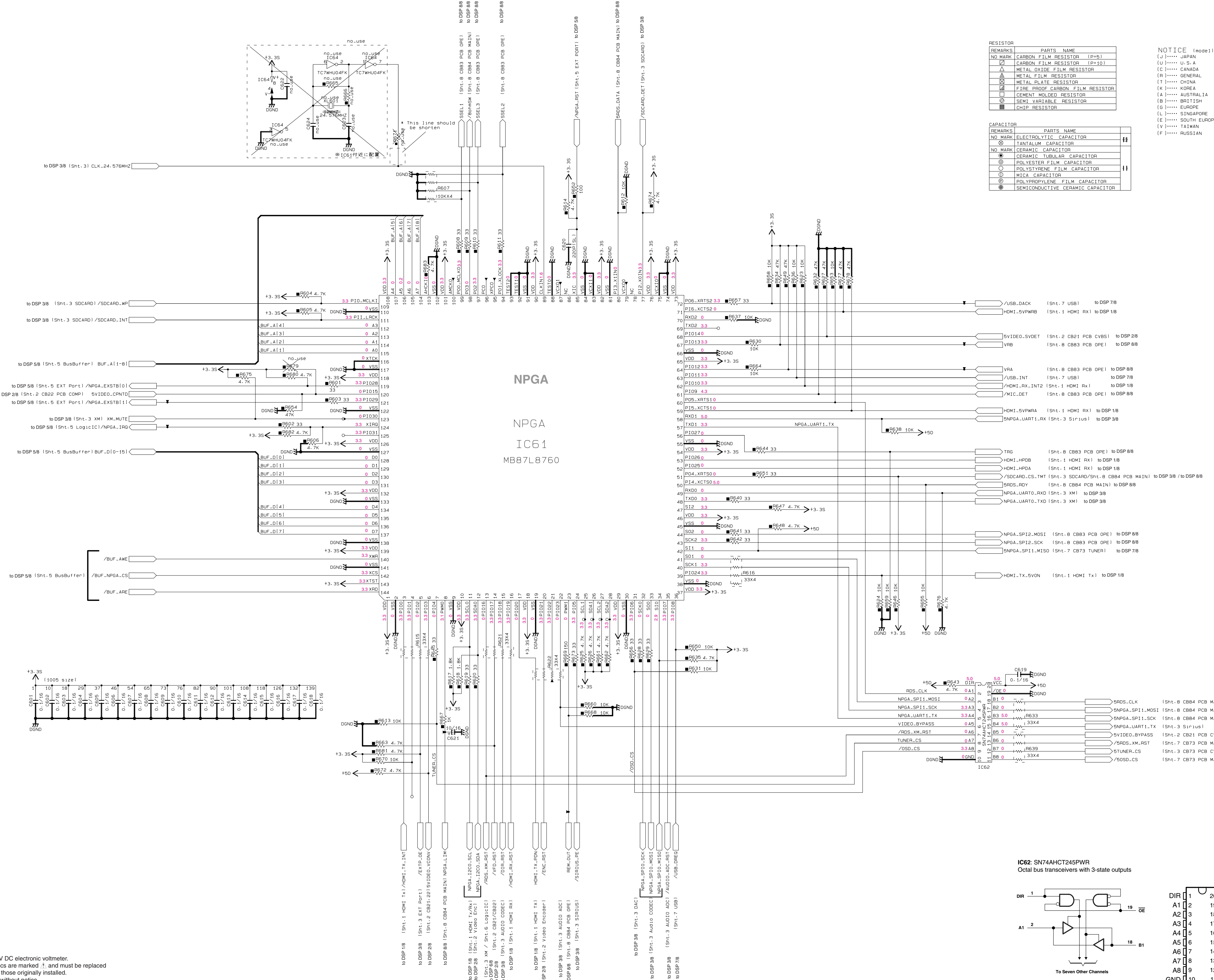
IC57-59: SN74LV574PWR 8D-F
 Octal edge-triggered D-type flip-flops with 3-state outputs



IC154: SN74LV123APWR
 Dual retriggerable monostable multivibrators with schmitt-trigger inputs



* All voltages are measured with a 10MΩ/V DC electronic voltmeter.
 * Components having special characteristics are marked !, and must be replaced with parts having specifications equal to those originally installed.
 * Schematic diagram is subject to change without notice.



REMARKS	PARTS_NAME
NO MARK	CARBON FILM RESISTOR (P=5)
[Symbol]	CARBON FILM RESISTOR (P=10)
[Symbol]	METAL OXIDE FILM RESISTOR
[Symbol]	METAL FILM RESISTOR
[Symbol]	METAL PLATE RESISTOR
[Symbol]	FIRE PROOF CARBON FILM RESISTOR
[Symbol]	CEMENT MOLDED RESISTOR
[Symbol]	SN7 VARIABLE RESISTOR
[Symbol]	CHIP RESISTOR

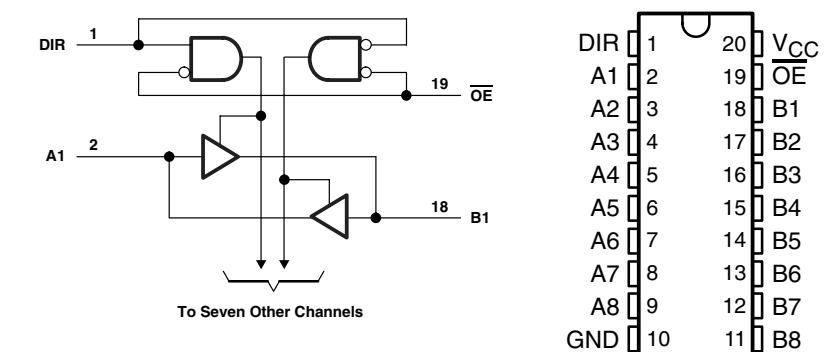
REMARKS	PARTS_NAME
NO MARK	ELECTROLYTIC CAPACITOR
[Symbol]	TANTALUM CAPACITOR
[Symbol]	CERAMIC TUBULAR CAPACITOR
[Symbol]	POLYESTER FILM CAPACITOR
[Symbol]	POLYETHYLENE FILM CAPACITOR
[Symbol]	MICA CAPACITOR
[Symbol]	POLYPROPYLENE FILM CAPACITOR
[Symbol]	SEMICONDUCTIVE CERAMIC CAPACITOR

NOTICE (model)

(J) JAPAN
 (U) U.S.A
 (C) CANADA
 (R) GENERAL
 (T) CHINA
 (K) KOREA
 (A) AUSTRALIA
 (B) BRITISH
 (G) EUROPE
 (L) SINGAPORE
 (E) SOUTH EUROPE
 (V) TAIWAN
 (F) RUSSIAN

* All voltages are measured with a 10MΩ/V DC electronic voltmeter.
 * Components having special characteristics are marked * and must be replaced with parts having specifications equal to those originally installed.
 * Schematic diagram is subject to change without notice.

IC62: SN74AHCT245PWR Octal bus transceivers with 3-state outputs

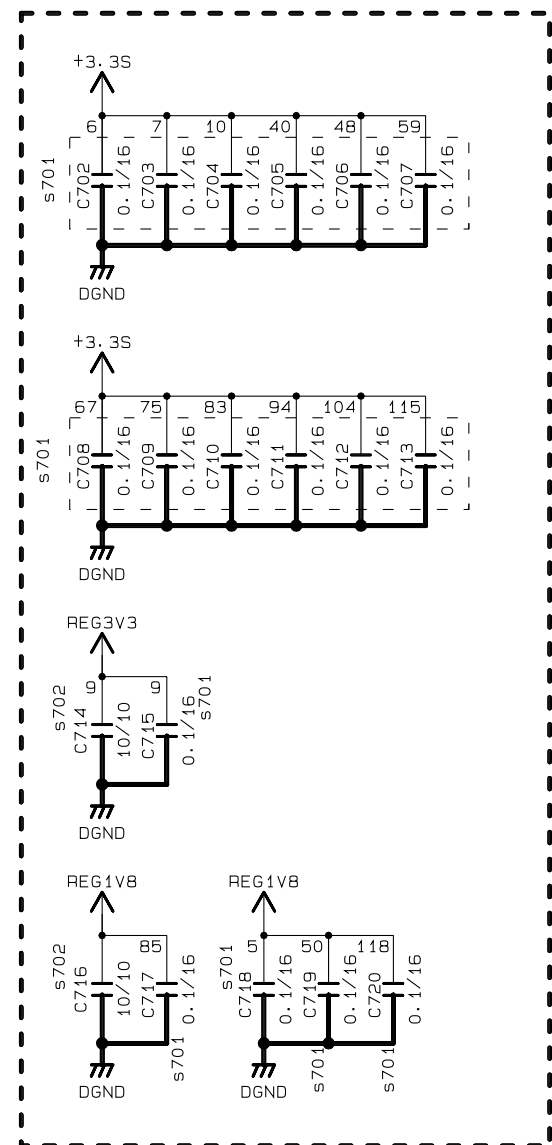


DSP 7/8

RESISTOR	
REMARKS	PARTS NAME
NO MARK	CARBON FILM RESISTOR (P=5)
□	CARBON FILM RESISTOR (P=10)
△	METAL OXIDE FILM RESISTOR
▴	METAL FILM RESISTOR
○	METAL PLATE RESISTOR
▢	FIRE PROOF CARBON FILM RESISTOR
⊞	CEMENT MOLDED RESISTOR
⊕	SEMI VARIABLE RESISTOR
⊗	CHIP RESISTOR

CAPACITOR	
REMARKS	PARTS NAME
NO MARK	ELECTROLYTIC CAPACITOR
⊖	TANTALUM CAPACITOR
NO MARK	CERAMIC CAPACITOR
○	CERAMIC TUBULAR CAPACITOR
⊕	POLYESTER FILM CAPACITOR
○	POLYESTER FILM CAPACITOR
○	MICA CAPACITOR
○	POLYPROPYLENE FILM CAPACITOR
⊗	SEMICONDUCTIVE CERAMIC CAPACITOR

NOTICE (model)
 (J)..... JAPAN
 (U)..... U.S.A
 (C)..... CANADA
 (R)..... GENERAL
 (T)..... CHINA
 (K)..... KOREA
 (A)..... AUSTRALIA
 (B)..... BRITISH
 (G)..... EUROPE
 (L)..... SINGAPORE
 (E)..... SOUTH EUROPE
 (V)..... TAIWAN
 (F)..... RUSSIAN



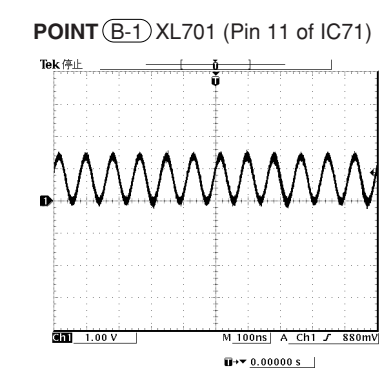
to DSP 5/8 (Sht.5 BusBuffer) BUF_D[0-15]
 to DSP 5/8 (Sht.5 BusBuffer) BUF_A[1-8]
 to DSP 5/8 (Sht.5 BusBuffer/EXT-BUF_OE)

to DSP 4/8 (Sht.4 CPU) A[1-19]

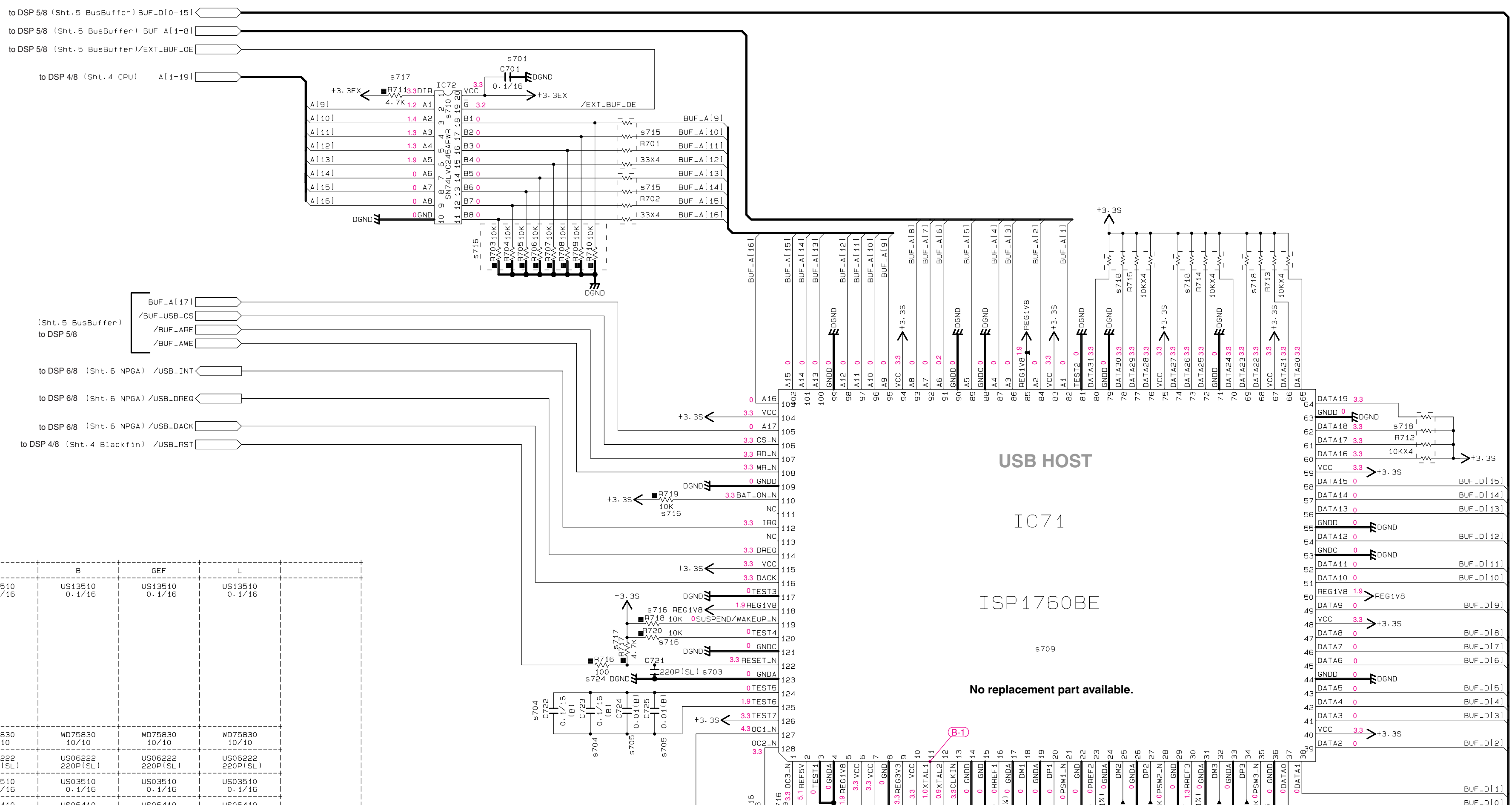
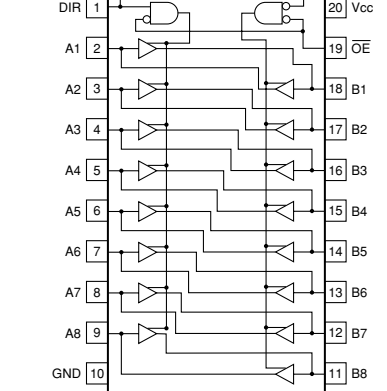
to DSP 6/8 (Sht.6 NP6A) /USB_INT
 to DSP 6/8 (Sht.6 NP6A) /USB_DREQ
 to DSP 6/8 (Sht.6 NP6A) /USB_DACK
 to DSP 4/8 (Sht.4 Blackfin) /USB_RST

Destination Part List										
sxx	LOC	J	UC	R	TA	K	B	GEF	L	
s701	C705	X	X	US13510	US13510	US13510	US13510	US13510	US13510	US13510
s702	C714	X	X	WD75830	WD75830	WD75830	WD75830	WD75830	WD75830	WD75830
s703	C721	X	X	US06222	US06222	US06222	US06222	US06222	US06222	US06222
s704	C723	X	X	US03510	US03510	US03510	US03510	US03510	US03510	US03510
s705	C731	X	X	US06410	US06410	US06410	US06410	US06410	US06410	US06410
s706	C727	X	X	US06120	US06120	US06120	US06120	US06120	US06120	US06120
s707	C729	X	X	UR83810	UR83810	UR83810	UR83810	UR83810	UR83810	UR83810
s708	CB71	X	X	VB85850	VB85850	VB85850	VB85850	VB85850	VB85850	VB85850
s709	IC71	X	X	XB288A0	XB288A0	XB288A0	XB288A0	XB288A0	XB288A0	XB288A0
s710	IC72	X	X	XZ287A0	XZ287A0	XZ287A0	XZ287A0	XZ287A0	XZ287A0	XZ287A0
s711	IC73	X	X	XB096A0	XB096A0	XB096A0	XB096A0	XB096A0	XB096A0	XB096A0
s712	J701	X	X	RD35000	RD35000	RD35000	RD35000	RD35000	RD35000	RD35000
s713	L703	X	X	PZ2012U600-3R0T	PZ2012U600-3R0T	PZ2012U600-3R0T	PZ2012U600-3R0T	PZ2012U600-3R0T	PZ2012U600-3R0T	PZ2012U600-3R0T
s714	L702	X	X	DWG21HN900S02L	DWG21HN900S02L	DWG21HN900S02L	DWG21HN900S02L	DWG21HN900S02L	DWG21HN900S02L	DWG21HN900S02L
s715	R701	X	X	WH20580	WH20580	WH20580	WH20580	WH20580	WH20580	WH20580
s716	R718	X	X	RD35710	RD35710	RD35710	RD35710	RD35710	RD35710	RD35710
s717	R711	X	X	RD35647	RD35647	RD35647	RD35647	RD35647	RD35647	RD35647
s718	R715	X	X	WH21180	WH21180	WH21180	WH21180	WH21180	WH21180	WH21180
s719	R722	X	X	RD35647	RD35647	RD35647	RD35647	RD35647	RD35647	RD35647
s720	R727	X	X	RF45712	RF45712	RF45712	RF45712	RF45712	RF45712	RF45712
s721	R734	X	X	RF45715	RF45715	RF45715	RF45715	RF45715	RF45715	RF45715
s722	XL701	X	X	VS29490	VS29490	VS29490	VS29490	VS29490	VS29490	VS29490
s723	C726	X	X	US06112	US06112	US06112	US06112	US06112	US06112	US06112
s724	R716	X	X	RD35610	RD35610	RD35610	RD35610	RD35610	RD35610	RD35610

USB



IC72: SN74LVC245APWR Octal bus transceivers with 3-state outputs



USB HOST

IC71

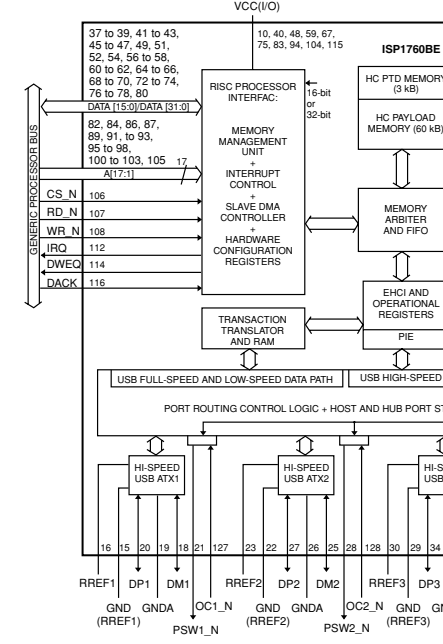
ISP1760BE

No replacement part available.

USB Connector (Side Entry)

Page 91 to OPERATION (6), W6006 (R, T, K, A, B, G, E, F, L models)

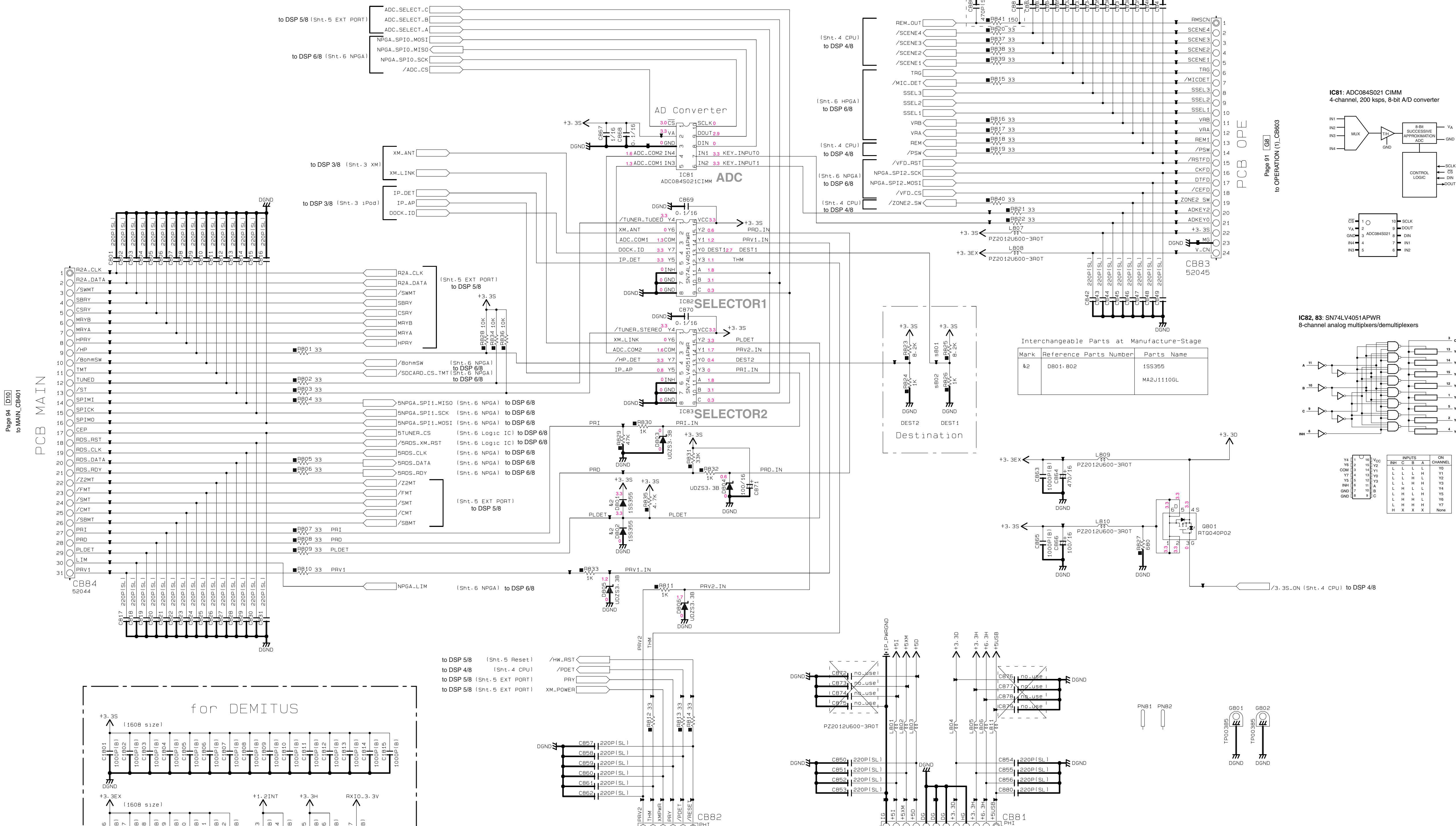
IC71: ISP1760BE Embedded hi-speed USB host controller



* All voltages are measured with a 10MΩ/V DC electronic voltmeter.
 * Components having special characteristics are marked with a triangle and must be replaced with parts having specifications equal to those originally installed.
 * Schematic diagram is subject to change without notice.

DSP 8/8

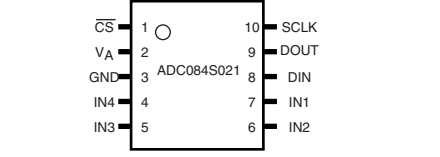
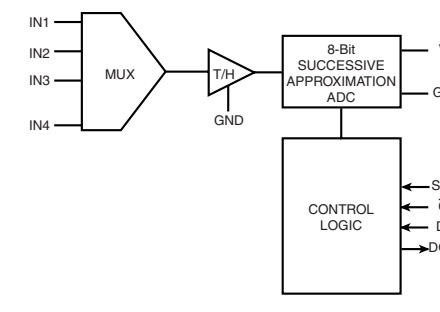
Destination Part List										
sxx	LOC	J	UC	R	TA	K	B	GEF	L	DESTINATION
s001	R025	RD35602 8.2K	RD35602 8.2K	RD35600 8.2K	RD35606 5.6K	RD35647 4.7K	RD35633 3.3K	RD35618 1.8K	RD35608 6.8K	DESTINATION DETECTION
s002	R026	RD35610 1K	RD35622 2.2K	RD35633 3.3K	RD35656 5.6K	RD35668 6.8K	RD35682 8.2K	RD35682 8.2K	RD35647 4.7K	



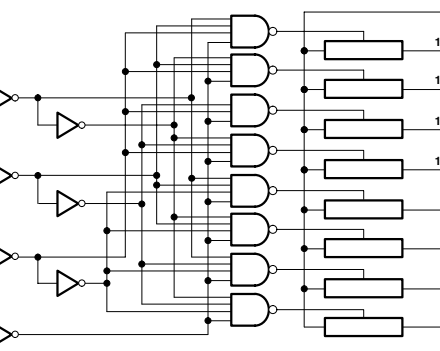
Page 94 [D10]
to MAIN_CB401

Page 81 [C8]
to OPERATION (1)_CB803

IC81: ADC084S021 CIMM
4-channel, 200 ksps, 8-bit A/D converter

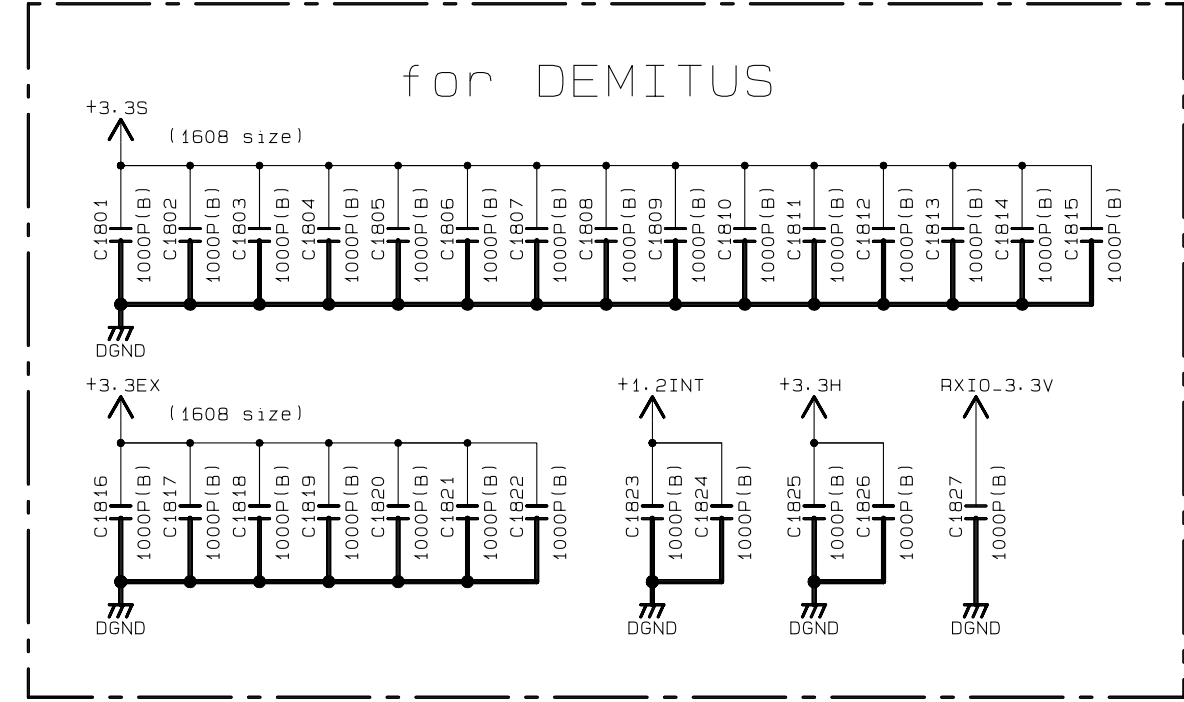


IC83: SN74LV4051APWR
8-channel analog multiplexers/demultiplexers



Interchangeable Parts at Manufacture-Stage

Mark	Reference Parts Number	Parts Name
42	D801-802	1S5395 MA2J1110GL



PCB POWER

Page 92 [B7]
to OPERATION (2)_W700

PCB POWER

Page 92 [B6]
to OPERATION (2)_W702

RESISTOR

REMARKS	PARTS NAME
NO MARK	CARBON FILM RESISTOR (P=5)
□	CARBON FILM RESISTOR (P=10)
△	METAL OXIDE FILM RESISTOR
▲	METAL FILM RESISTOR
⊠	METAL PLATE RESISTOR
⊞	FIRE PROOF CARBON FILM RESISTOR
⊞	CEMENT MOLDED RESISTOR
⊞	SEMI VARIABLE RESISTOR
■	CHIP RESISTOR

CAPACITOR

REMARKS	PARTS NAME
NO MARK	ELECTROLYTIC CAPACITOR
□	TANTALUM CAPACITOR
NO MARK	CERAMIC CAPACITOR
●	CERAMIC TUBULAR CAPACITOR
⊙	POLYESTER FILM CAPACITOR
○	POLYSTYRENE FILM CAPACITOR
⊙	POLYPROPYLENE FILM CAPACITOR
●	SEMICONDUCTIVE CERAMIC CAPACITOR

* All voltages are measured with a 10MΩ/V DC electronic voltmeter.
* Components having special characteristics are marked with a triangle and must be replaced with parts having specifications equal to those originally installed.
* Schematic diagram is subject to change without notice.

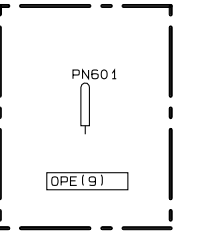
NOTICE (model)
(J)..... JAPAN
(U)..... U.S.A
(C)..... CANADA
(R)..... GENERAL
(T)..... CHINA
(K)..... KOREA
(A)..... AUSTRALIA
(B)..... BRITISH
(G)..... EUROPE
(L)..... SINGAPORE
(E)..... SOUTH EUROPE
(V)..... TAIWAN
(F)..... RUSSIAN

OPERATION 1/2

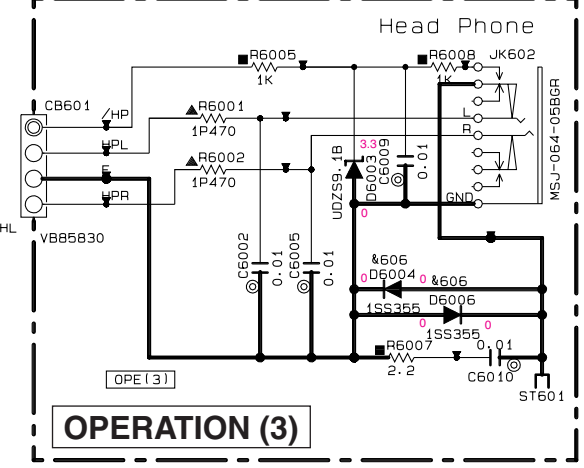
REMARKS	PARTS NAME
NO MARK	CARBON FILM RESISTOR (P=5)
<input checked="" type="checkbox"/>	CARBON FILM RESISTOR (P=10)
<input checked="" type="checkbox"/>	METAL OXIDE FILM RESISTOR
<input checked="" type="checkbox"/>	METAL FILM RESISTOR
<input checked="" type="checkbox"/>	METAL PLATE RESISTOR
<input checked="" type="checkbox"/>	FIRE-PROOF CARBON FILM RESISTOR
<input checked="" type="checkbox"/>	CEMENT MOLDED RESISTOR
<input checked="" type="checkbox"/>	SEMI-VARIABLE RESISTOR
<input checked="" type="checkbox"/>	CHIP RESISTOR

REMARKS	PARTS NAME
NO MARK	ELECTROLYTIC CAPACITOR
<input checked="" type="checkbox"/>	TANTALUM CAPACITOR
NO MARK	CERAMIC CAPACITOR
<input checked="" type="checkbox"/>	CERAMIC TUBULAR CAPACITOR
<input checked="" type="checkbox"/>	POLYESTER FILM CAPACITOR
<input checked="" type="checkbox"/>	POLYSTYRENE FILM CAPACITOR
<input checked="" type="checkbox"/>	MICA CAPACITOR
<input checked="" type="checkbox"/>	POLYPROPYLENE FILM CAPACITOR
<input checked="" type="checkbox"/>	SEMICONDUCTIVE CERAMIC CAPACITOR
<input checked="" type="checkbox"/>	POLYBENZENE SULFIDE FILM CAPACITOR

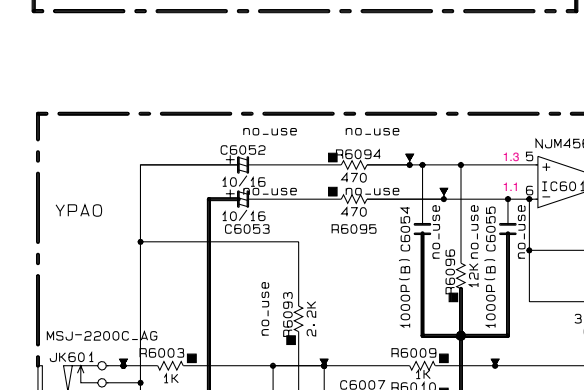
OPERATION (9)



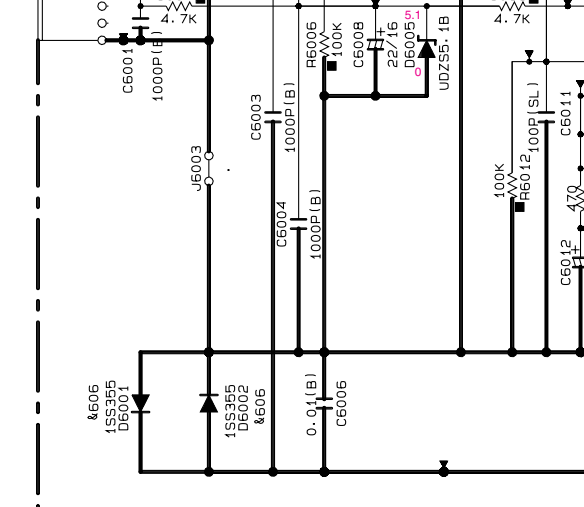
PHONES



OPERATION (3)

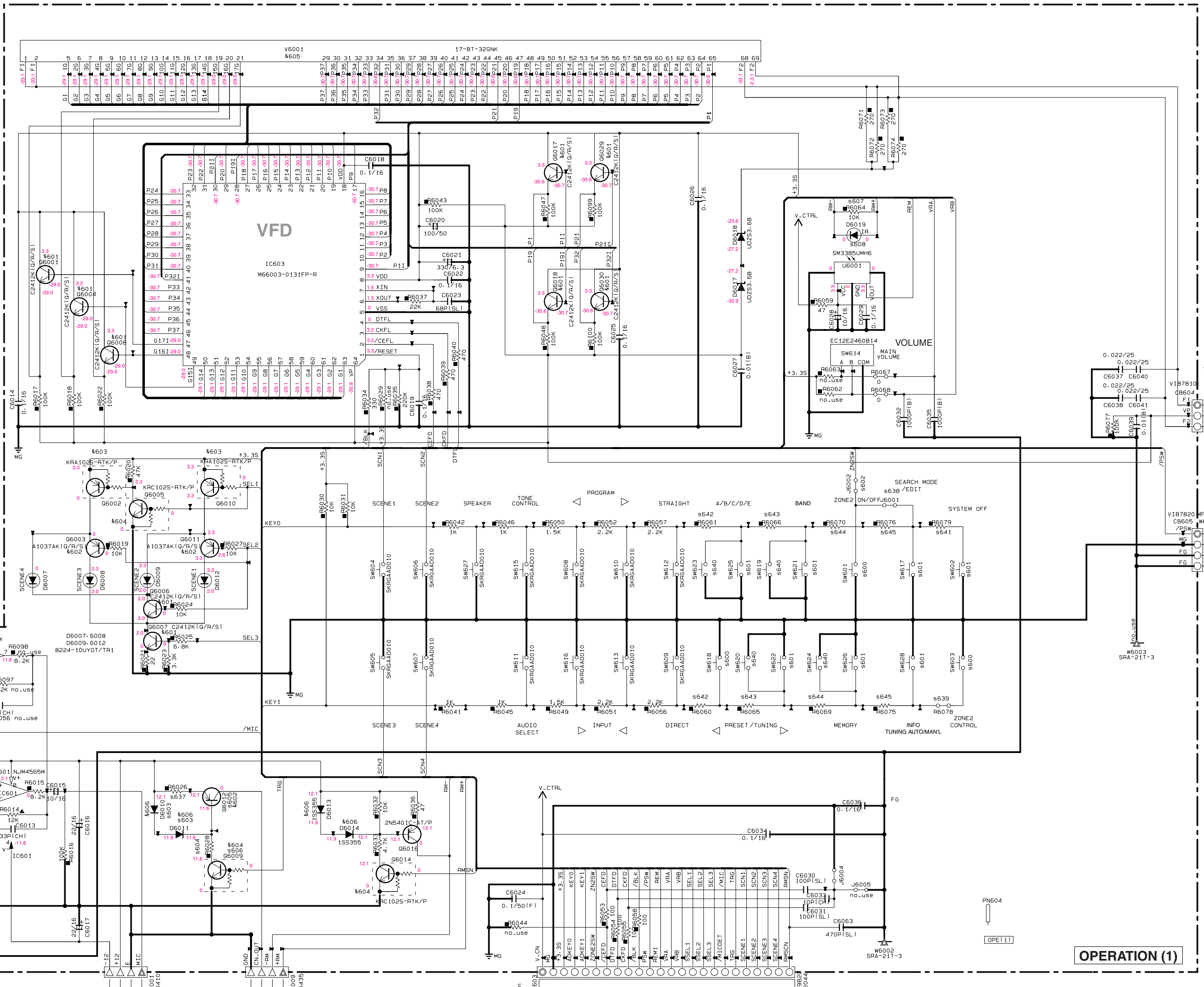


OPTIMIZER MIC



Interchangeable Parts at Manufacture-Stage

Mark	Reference Parts Number	Parts Name
6001	6001-6004-6006-6008	25C2412K10/R/S1
	6017-6018-6020-6030	298818R/4R/S1
		K1C38795-V-GR-RTK/P
6002	6003-6011-6012	2S1A1037AK/G/R/S1
		K1A15045-V-GR-RTK/P
6003	6002-6010	KR41025-RTK/P
		D1A114EK4
6004	6005-6009-6014	KRC1025-RTK/P
		D1C114EK4
6005	V6001	17-BT-329NK
		HNA-179M06T
6006	6001-6003-6004-6006	15S395
	6010-6011-6013-6014	M42J11109L
	6020-6027	



NOTICE (mode1)
 (J)..... JAPAN
 (U)..... U. S. A
 (C)..... CANADA
 (R)..... GENERAL
 (T)..... CHINA
 (K)..... KOREA
 (A)..... AUSTRALIA
 (B)..... BRITISH
 (G)..... EUROPE
 (L)..... SINGAPORE
 (E)..... SOUTH EUROPE
 (V)..... TAIWAN
 (F)..... RUSSIAN

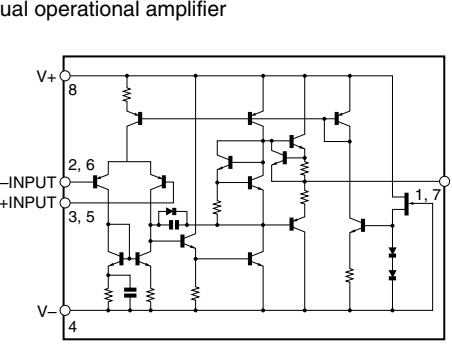
Key detection for A/D port
 Key input (A/D) pull-up resistance 10 k-ohms
 U.C.R.T.K.A.G.E.F.L models

Ohm	0	+1.0k	+1.5k	+2.2k	+2.2k	+3.3k	+4.7k	+6.8k	+10.0k	+22.0k	
V	0-0.2	0.2-0.4	0.4-0.7	0.7-1.0	1.0-1.3	1.3-1.6	1.6-1.9	1.9-2.1	2.1-2.4	2.4-2.7	2.7-3.0
KEY		SPEAKERS	AB/DI	CONTROL	PROGRAM	PROGRAM	PROGRAM	PROGRAM	PROGRAM	PROGRAM	PROGRAM
INPUT 0 (17 pin)		-	-	-	-	-	-	-	-	-	-
KEY		-	-	-	-	-	-	-	-	-	-
INPUT 1 (16 pin)		-	-	-	-	-	-	-	-	-	-
KEY		-	-	-	-	-	-	-	-	-	-

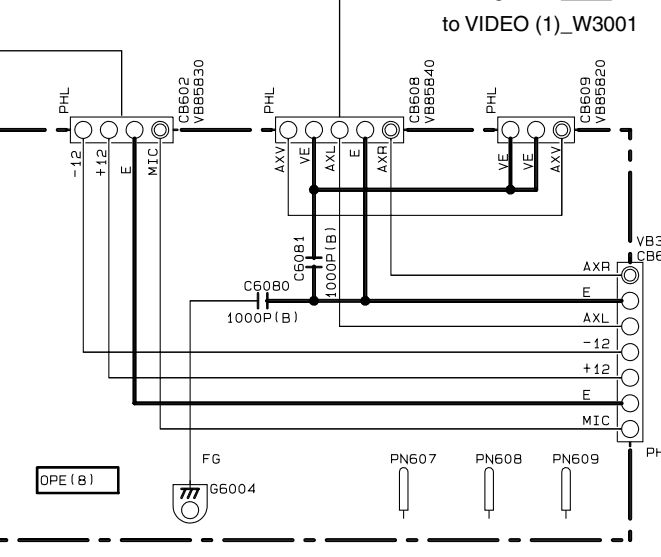
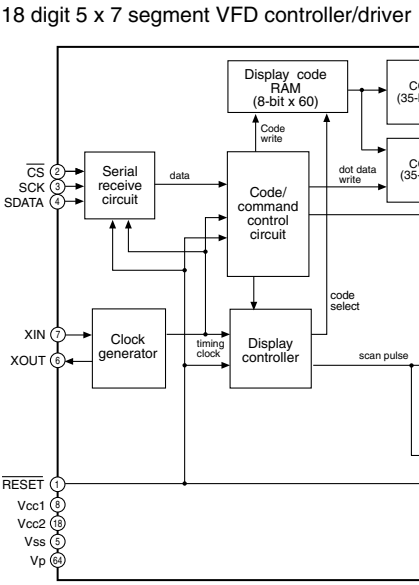
B model

Ohm	0	+1.0k	+1.5k	+2.2k	+2.2k	+3.3k	+4.7k	+6.8k	+10.0k	+22.0k	
V	0-0.2	0.2-0.4	0.4-0.7	0.7-1.0	1.1-1.3	1.3-1.6	1.6-1.9	1.9-2.1	2.1-2.4	2.4-2.7	2.7-2.9
KEY		SPEAKERS	AB/DI	CONTROL	PROGRAM	PROGRAM	PROGRAM	PROGRAM	PROGRAM	PROGRAM	PROGRAM
INPUT 0 (17 pin)		-	-	-	-	-	-	-	-	-	-
KEY		-	-	-	-	-	-	-	-	-	-
INPUT 1 (16 pin)		-	-	-	-	-	-	-	-	-	-
KEY		-	-	-	-	-	-	-	-	-	-

IC601: NJM4558M Dual operational amplifier

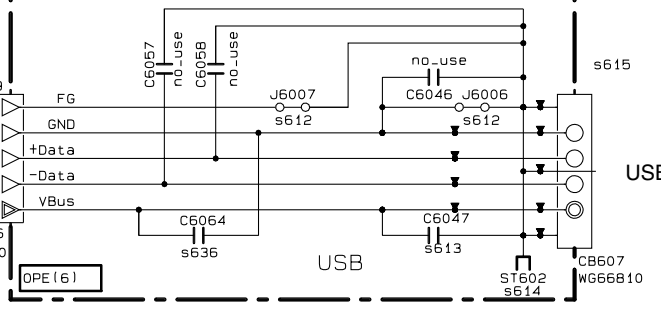


IC603: M6003-0131FP-R 18 digit 5 x 7 segment VFD controller/driver



OPERATION (8)

USB MODEL ONLY

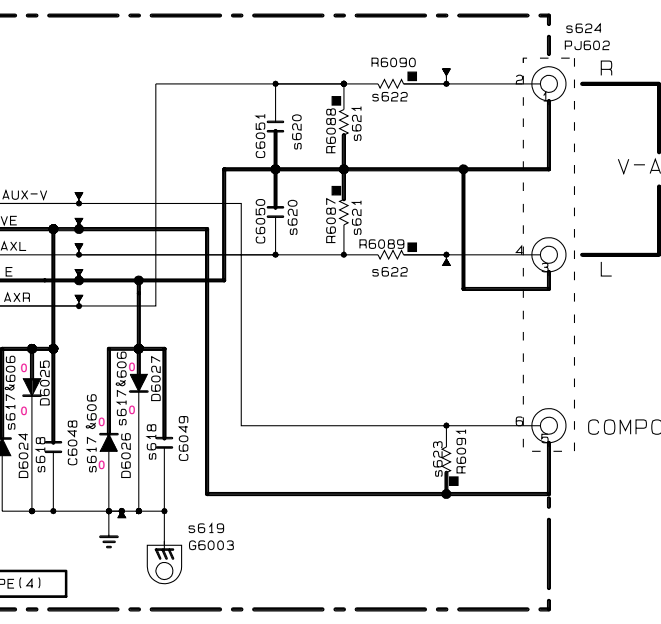


OPERATION (6)

R, T, K, A, B, G, E, F, L models

OPERATION (7)

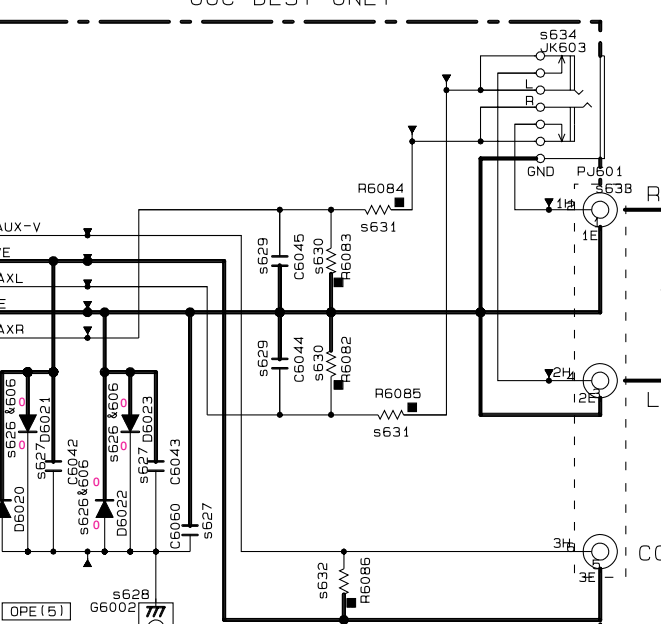
MAIN ZONE ON/OFF (U, C, R, T, K, A, G, E, F, L models) STANDBY/ON (B model)



OPERATION (4)

R, T, K, A, B, G, E, F, L models

JUC DEST ONLY



OPERATION (5)

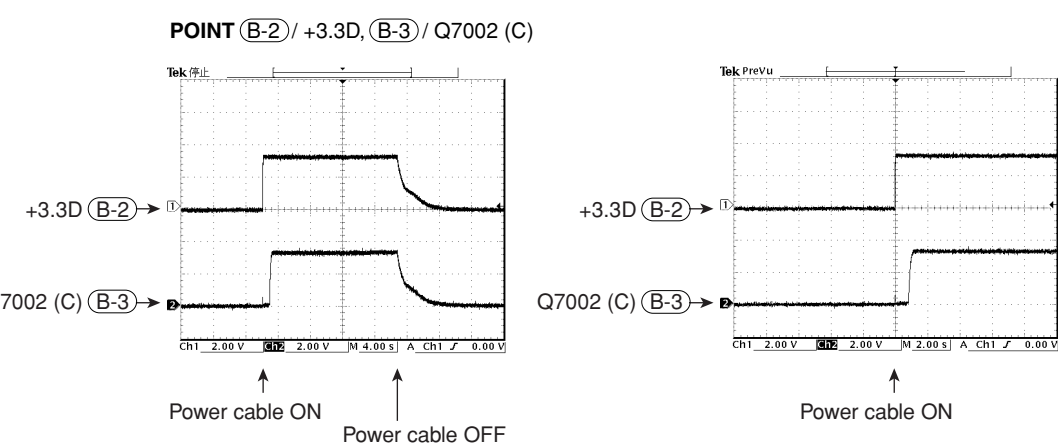
U, C models

* All voltages are measured with a 10MQ/V DC electronic voltmeter.
 * Components having special characteristics are marked with ! and must be replaced with parts having specifications equal to those originally installed.
 * Schematic diagram is subject to change without notice.

OPERATION 2/2

Interchangeable Parts at Manufacture-Stage

Mark	Reference Parts Number	Parts Name
∗700	Q7000-7002	DTC114EKA KRC104S-RTK/P
∗701	D7005-7006, 7010-7016	1S5355 MA2J1110GL
∗702	D7014, 7015	KBP1036 RS103
∗703	D7018, 7019	RS403M-B-C-JB0 TS4B03G-07
∗704	Q7001	2SC2413K (Q/R/S) KT3B75S-Y, GR-RTK/P 2S0601AR/L/AOL (Q/R/S)



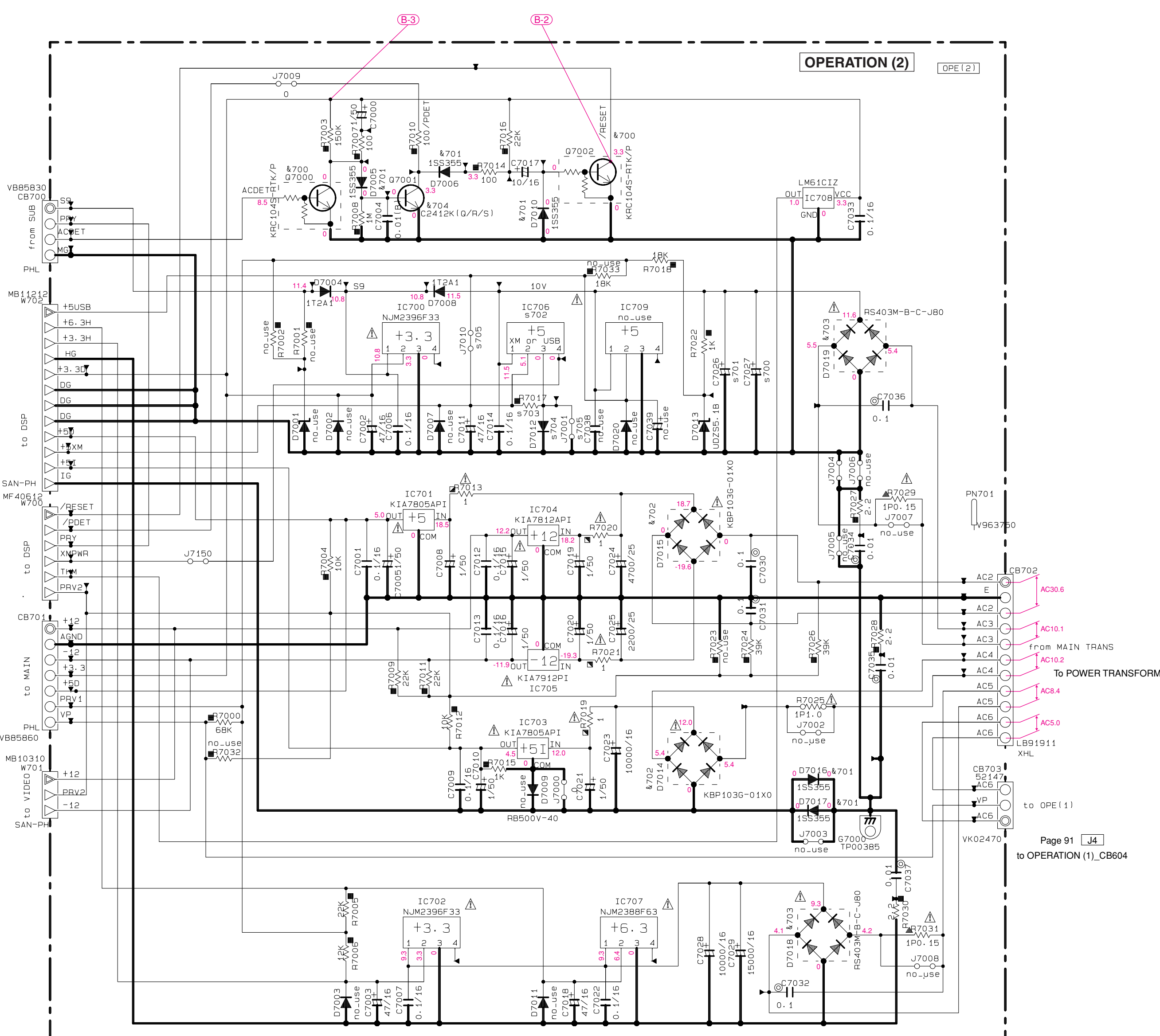
Page 96 [G9]
to VIDEO (3)_W3401

Page 90 [J9]
to DSP_CB81

Page 90 [G9]
to DSP_CB82

Page 93 [I6]
to MAIN_W506

Page 95 [B2]
to VIDEO (1)_CB301



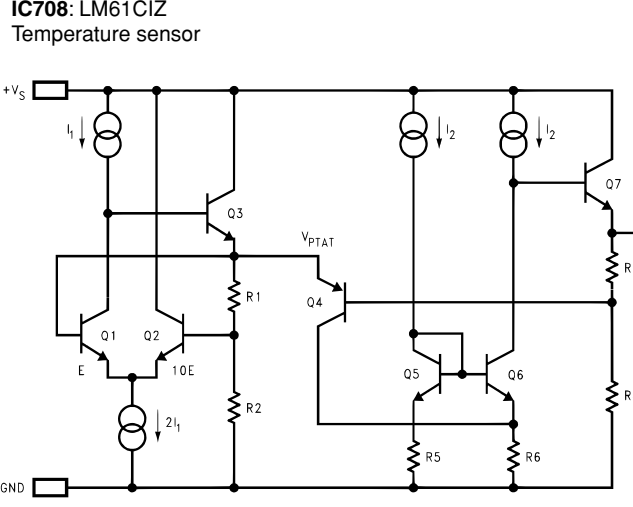
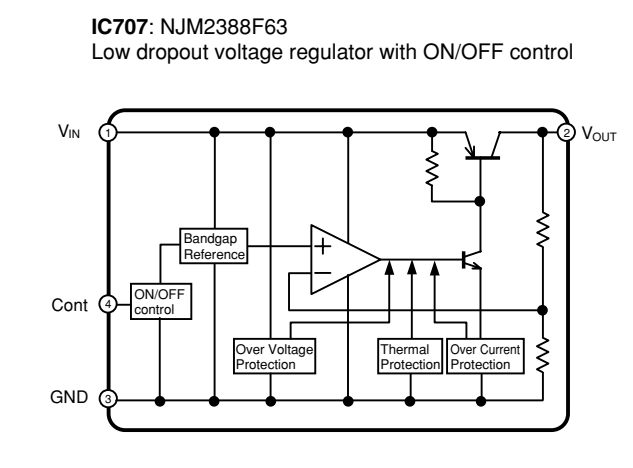
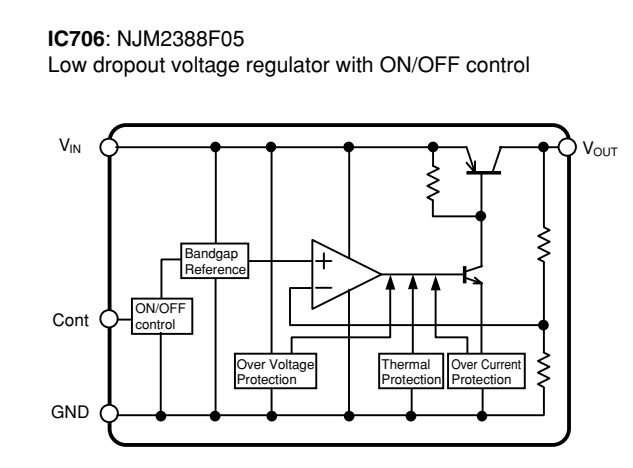
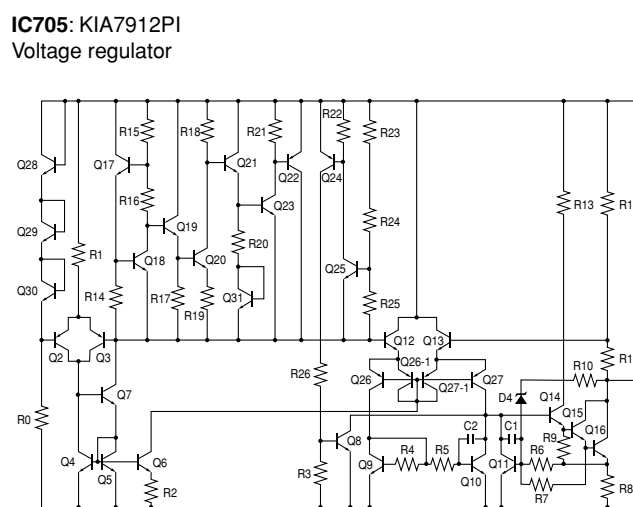
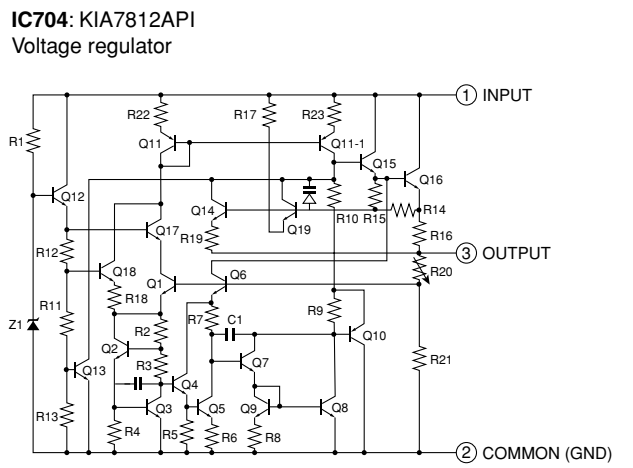
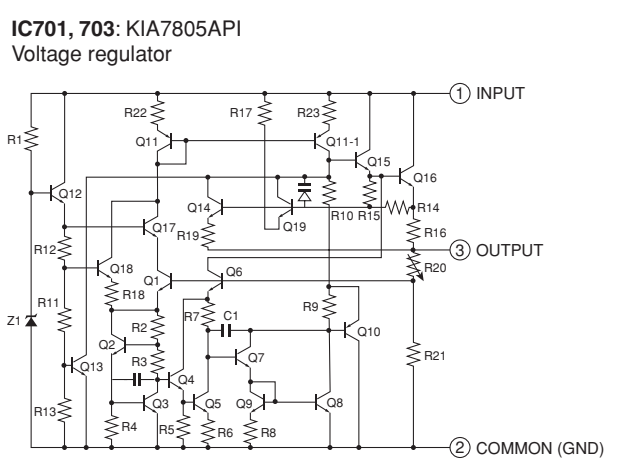
Page 91 [J4]
to OPERATION (1)_CB604

RESISTOR		CAPACITOR	
REMARKS	PARTS NAME	REMARKS	PARTS NAME
∅	CARBON FILM RESISTOR (P=5)	∅	ELECTROLYTIC CAPACITOR
△	CARBON FILM RESISTOR (P=10)	⊗	TANTALUM CAPACITOR
□	METAL OXIDE FILM RESISTOR	∅	CERAMIC CAPACITOR
⊗	METAL FILM RESISTOR	⊙	CERAMIC TUBULAR CAPACITOR
⊙	METAL PLATE RESISTOR	⊕	POLYESTER FILM CAPACITOR
⊕	FINE PROOF CARBON FILM RESISTOR	⊖	POLYSTYRENE FILM CAPACITOR
⊖	CEMENT MOUNTED RESISTOR	⊗	MICA CAPACITOR
⊗	SEMI VARIABLE RESISTOR	⊙	POLYPROPYLENE FILM CAPACITOR
⊙	CHIP RESISTOR	⊕	SEMICONDUCTIVE CERAMIC CAPACITOR

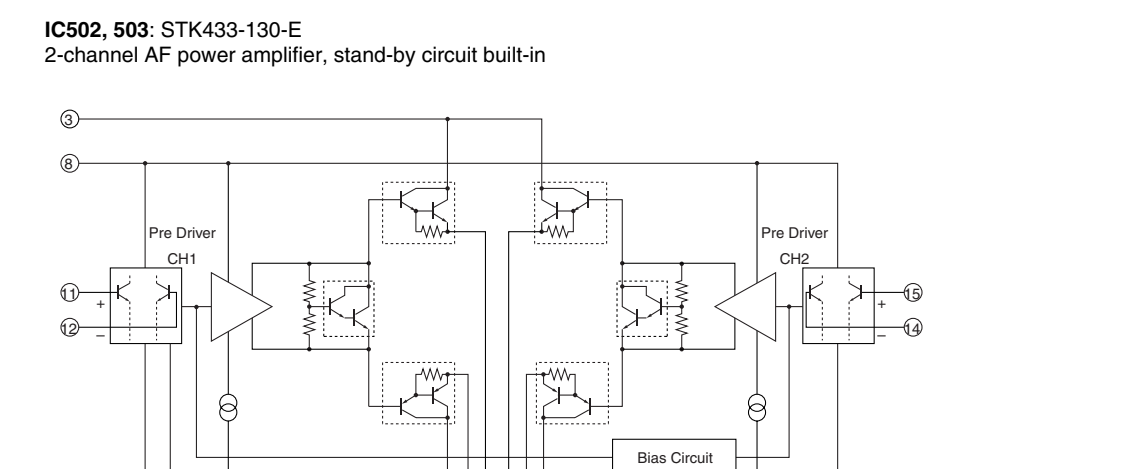
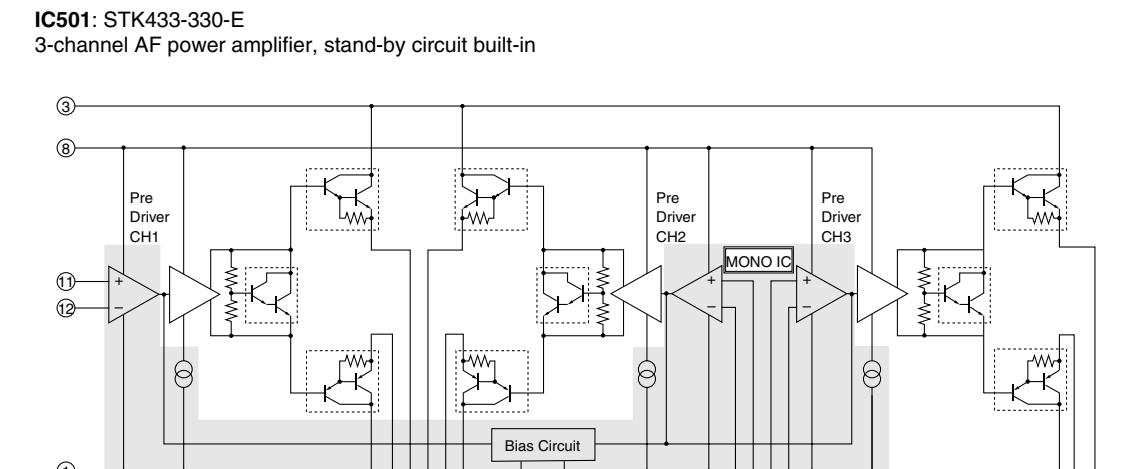
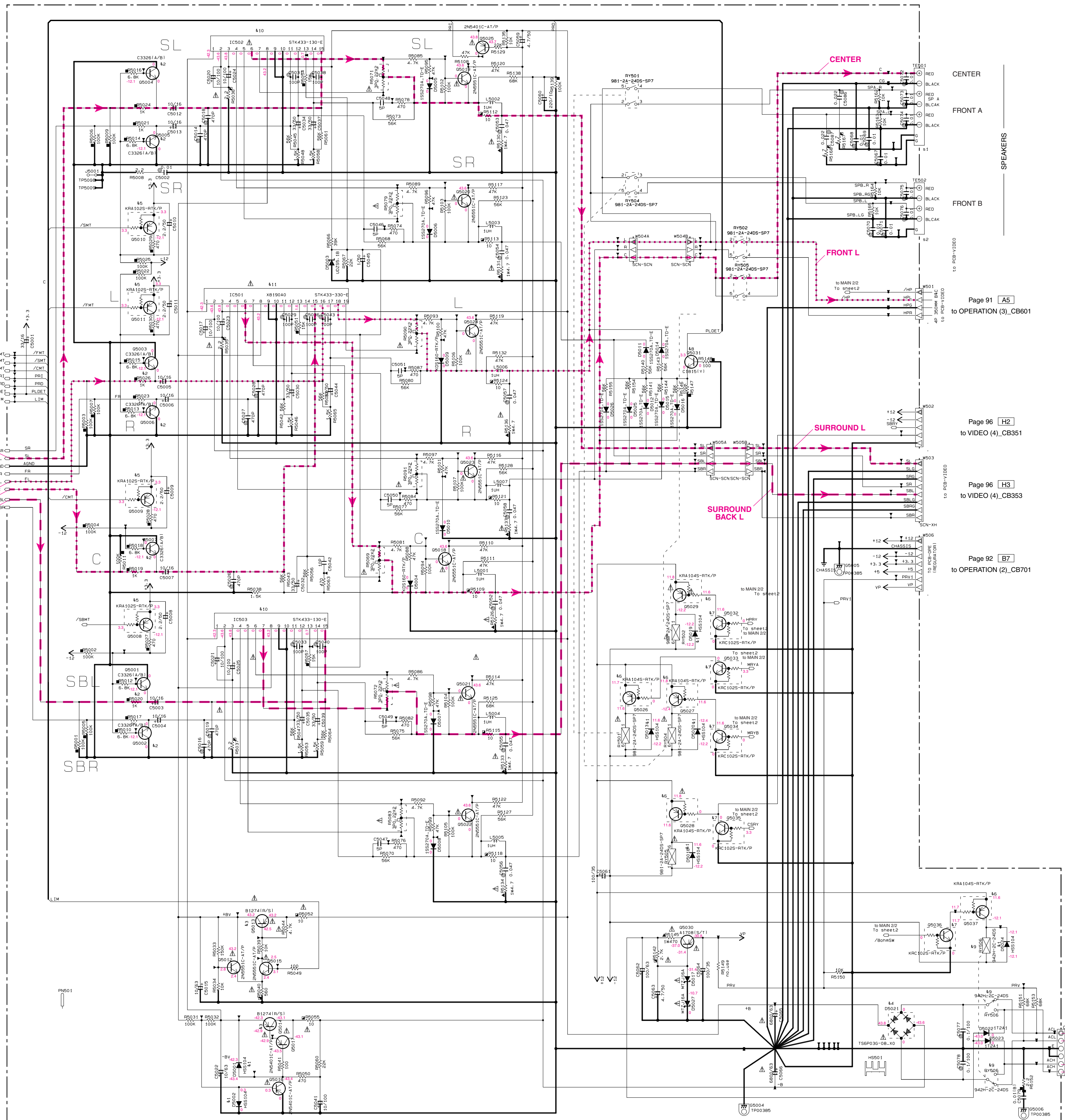
∗ All voltages are measured with a 10MΩ/V DC electronic voltmeter.
 ∗ Components having special characteristics are marked ∗, and must be replaced with parts having specifications equal to those originally installed.
 ∗ Schematic diagram is subject to change without notice.

sXX	LOC	UC	RTKAGEFL	B
s600	SW601 SW619 SW603	WD48310 SKRGAAD010	WD48310 SKRGAAD010	X
s601	SW602 SW617 SW621 SW626 SW628 SW625 SW622	WD48310 SKRGAAD010	WD48310 SKRGAAD010	X
s602	J6002	VN50000 0	VN50000 0	X
s603	D6010 D6011	VT33290 1S5355	VT33290 1S5355	X
s604	R6028	RD35647 4.7K	RD35647 4.7K	X
s605	Q6012	VV56540 A1037AK (Q/R/S)	VV56540 A1037AK (Q/R/S)	X
s606	Q6009	VV65540 DTC114EKA	VV65540 DTC114EKA	X
s607	R6054	RD35710 10K	RD35710 10K	X
s608	D6019	V256820 SIR-505STA47	V256820 SIR-505STA47	X
s609	W6006	X	WN02170	WN02170
s612	J6007 J6006	X	RD35000 0	RD35000 0
s613	C6047	X	US06210 100P(SL)	US06210 100P(SL)
s614	ST602	X	WA78970	WA78970
s615	CB607	X	W656810 UBA-48-D141-4D	W656810 UBA-48-D141-4D
s616	W6008	X	WJ52450 SAN-PH	WJ52450 SAN-PH
s617	D6026 D6027 D6024	X	VT33290 1S5355	VT33290 1S5355
s618	C6049 C6048	X	US13510 0.1/16	US13510 0.1/16
s619	G6003	X	VR46340 TP003B5	VR46340 TP003B5
s620	C6050 C6051	X	US06222 220P(SL)	US06222 220P(SL)
s621	R6088 R6087	X	RD35847 470K	RD35847 470K
s622	R6090 R6089	X	RD35547 470	RD35547 470
s623	R6091	X	RD35475 75	RD35475 75
s624	PJ602	X	WJ11750 MSP-303H-BBB-11	WJ11750 MSP-303H-BBB-11
s625	W6007	X	WJ62450 SAN-PH	X
s626	D6020 D6021 D6022 D6023	X	VT33290 1S5355	X
s627	C6043 C6042 C6060	X	US13510 0.1/16	X
s628	G6002	X	VR46340 TP003B5	X
s629	C6045 C6044	X	US06368 6800P(B)	X
s630	R6082 R6083	X	RD35847 470K	X
s631	R6085 R6084	X	RD35547 470	X
s632	R6086	X	RD35475 75	X
s633	PJ601	X	WJ11750 MSP-303H-BBB-11	X
s634	JK603	X	WJ11740 MSJ-035-05A	X
s636	C6054	X	US12510 1/10	US12510 1/10
s637	R6026	X	RD35427 27	X
s638	J6001	X	X	X
s639	R6078	X	RD35722 22K	X
s640	SW619 SW624 SW620 SW623	X	X	X
s641	R6079	X	RD35722 22K	X
s642	R6060 R6061	X	RD35633 3.3K	X
s643	R6065 R6066	X	RD35647 4.7K	X
s644	R6069 R6070	X	RD35668 6.8K	X
s645	R6076 R6075	X	RD35710 10K	X
s700	C7027	WG60200 15000/16	WG60200 15000/16	WG60200 15000/16
s701	C7026	UR03947 4700/16	UR03947 4700/16	UR03947 4700/16
s702	IC706	X6143A0 NJM2388F05	X6143A0 NJM2388F05	X6143A0 NJM2388F05
s703	R7017	RD35610 1K	X	X
s704	D7012	V237660 RB500V-40	X	X
s705	J7001 J7010	X	VN50000	VN50000

NOTICE (mode1)
 (J)..... JAPAN
 (U)..... U.S.A
 (C)..... CANADA
 (R)..... GENERAL
 (T)..... CHINA
 (K)..... KOREA
 (A)..... AUSTRALIA
 (B)..... BRITISH
 (G)..... EUROPE
 (L)..... SINGAPORE
 (E)..... SOUTH EUROPE
 (V)..... TAIWAN
 (F)..... RUSSIAN



MAIN 1/2



Page 91 [A5]
to OPERATION (3)_CB601

Page 96 [H2]
to VIDEO (4)_CB351

Page 96 [H3]
to VIDEO (4)_CB353

Page 92 [B7]
to OPERATION (2)_CB701

Interchangeable Parts at Manufacture-Stage

Mark	Reference Parts Number	Parts Name
41	05001-5002-5013 5018-5020-5024	RES104 155133 155176
42	05001-5007	25C33261A/B1 25C33261B1 25C593841A/B1 25C19381F15/1 25C2724K
43	05013-5014	25H12741H/S1 25H15551E/F1 K1A1046-Y-U/P
44	05021	T5P0330-08-X0 R5603W-B-C-J80

REMARKS	PARTS NAME
NO MARK	ELECTROLYTIC CAPACITOR
⊗	TANTALUM CAPACITOR
NO MARK	CERAMIC CAPACITOR
⊙	CERAMIC TUBULAR CAPACITOR
⊕	POLYESTER FILM CAPACITOR
⊖	POLYSTYRENE FILM CAPACITOR
⊗	MICA CAPACITOR
⊙	POLYPROPYLENE FILM CAPACITOR
⊕	SEMICONDUCTIVE CERAMIC CAPACITOR
⊖	POLYPHENYLENE SULFIDE FILM CAPACITOR

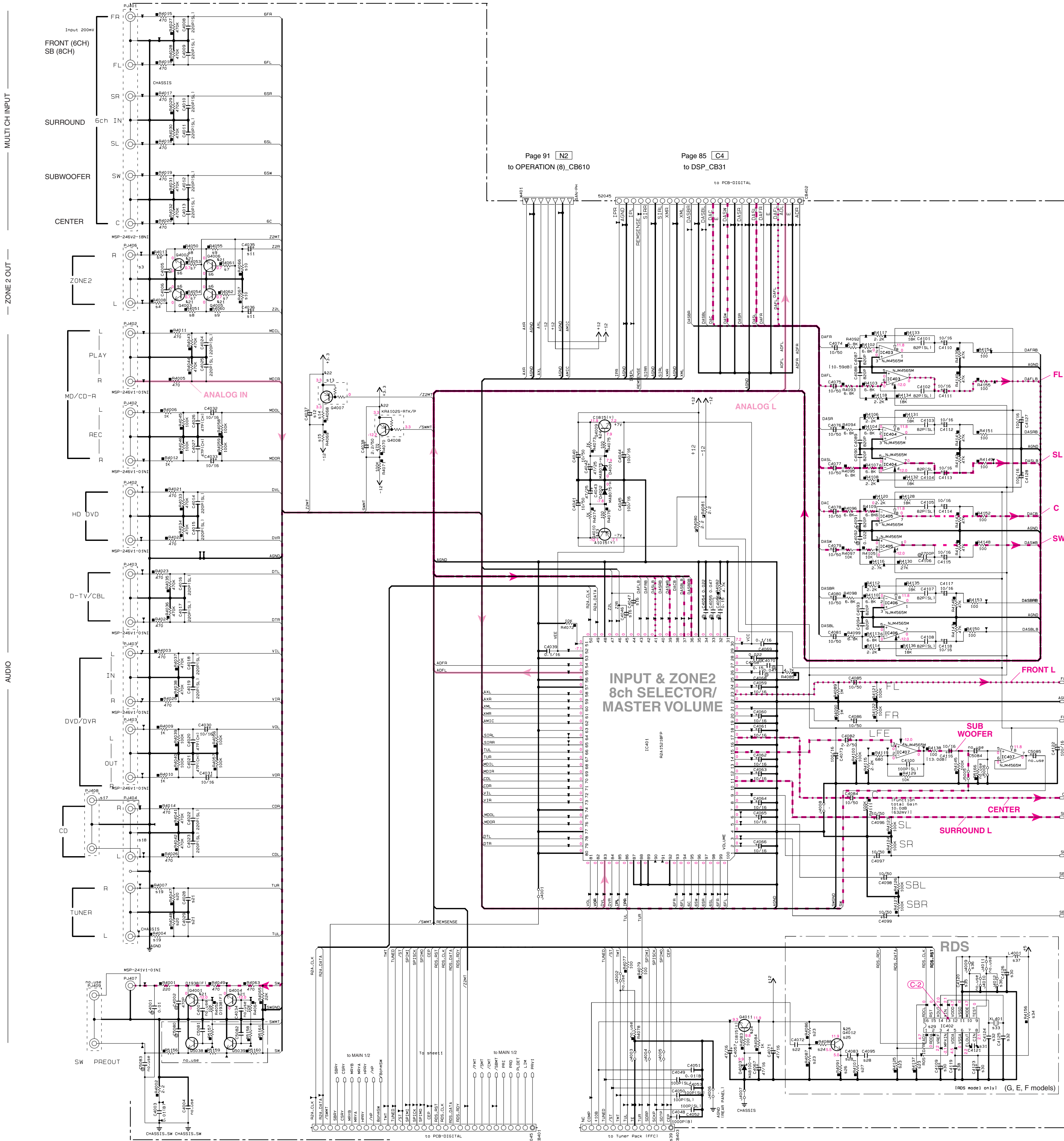
REMARKS	PARTS NAME
NO MARK	CARBON FILM RESISTOR [D=5]
⊕	CARBON FILM RESISTOR [D=10]
⊖	METAL OXIDE FILM RESISTOR
⊗	METAL FILM RESISTOR
⊙	METAL PLATE RESISTOR
⊕	FIRE PROOF CARBON FILM RESISTOR
⊖	CEMENT MOLDED RESISTOR
⊗	SEMI-VARIABLE RESISTOR
⊙	CHIP RESISTOR

NOTICE [mode1]

(J)..... JAPAN
(U)..... U.S.A
(C)..... CANADA
(R)..... GENERAL
(T)..... CHINA
(K)..... KOREA
(A)..... AUSTRALIA
(B)..... BRITISH
(G)..... EUROPE
(L)..... SINGAPORE
(E)..... SOUTH EUROPE
(V)..... TAIWAN
(F)..... RUSSIAN

* All voltages are measured with a 10MΩ/V DC electronic voltmeter.
* Components having special characteristics are marked !, and must be replaced with parts having specifications equal to those originally installed.
* Schematic diagram is subject to change without notice.

MAIN 2/2

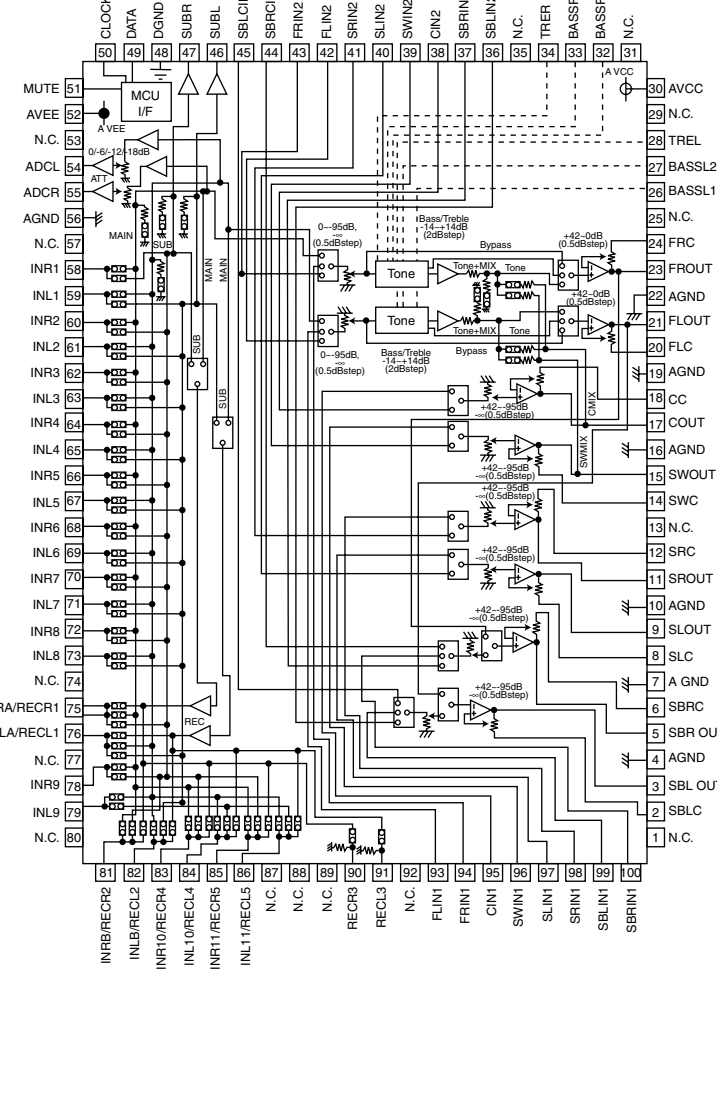


Interchangeable Parts at Manufacture-Stage

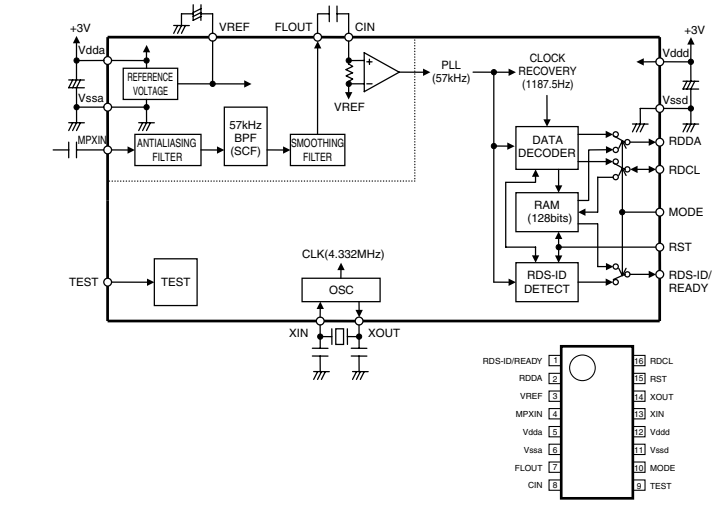
Mark	Reference Parts Number	Parts Name
421	04001-4006	25D1938(F) 25C5938(A1A/B1) 25D270-4K
422	04007-4008	KRA1025-RTK/P DTA114EKA
423	04010	25A1015(Y1) KTA1266 Y-AT
424	04009-4011	25C1815(Y1) KTC398 Y-AT
425	04012	25C14051(R/S1) 25C3114(RA1B/R/S1)

DEFINITION	PART LIST	LOC	J	UCR7A	KL	B	SEP
91	TE001	W56100	W56100	W56110	W56110	W56110	W56110
92	TE002	W56080	W56080	W56090	W56090	W56090	W56090
93	PL400	W56170	W56170	W56170	W56170	W56170	W56170
94	R4008	R03522	R03522	R03522	R03522	R03522	R03522
95	C4006	U50547	U50547	U50547	U50547	U50547	U50547
96	C4005	V72990	V72990	V72990	V72990	V72990	V72990
97	R4001	R03510	R03510	R03510	R03510	R03510	R03510
98	R4002	R03533	R03533	R03533	R03533	R03533	R03533
99	R4005	R03568	R03568	R03568	R03568	R03568	R03568
100	R4006	R03580	R03580	R03580	R03580	R03580	R03580
101	C4008	U50510	U50510	U50510	U50510	U50510	U50510
102	C4009	U50510	U50510	U50510	U50510	U50510	U50510
103	C4037	U50510	U50510	U50510	U50510	U50510	U50510
104	C4038	U50510	U50510	U50510	U50510	U50510	U50510
105	C4039	U50510	U50510	U50510	U50510	U50510	U50510
106	C4040	U50510	U50510	U50510	U50510	U50510	U50510
107	C4041	U50510	U50510	U50510	U50510	U50510	U50510
108	C4042	U50510	U50510	U50510	U50510	U50510	U50510
109	C4043	U50510	U50510	U50510	U50510	U50510	U50510
110	C4044	U50510	U50510	U50510	U50510	U50510	U50510
111	C4045	U50510	U50510	U50510	U50510	U50510	U50510
112	C4046	U50510	U50510	U50510	U50510	U50510	U50510
113	C4047	U50510	U50510	U50510	U50510	U50510	U50510
114	C4048	U50510	U50510	U50510	U50510	U50510	U50510
115	C4049	U50510	U50510	U50510	U50510	U50510	U50510
116	C4050	U50510	U50510	U50510	U50510	U50510	U50510
117	C4051	U50510	U50510	U50510	U50510	U50510	U50510
118	C4052	U50510	U50510	U50510	U50510	U50510	U50510
119	C4053	U50510	U50510	U50510	U50510	U50510	U50510
120	C4054	U50510	U50510	U50510	U50510	U50510	U50510
121	C4055	U50510	U50510	U50510	U50510	U50510	U50510
122	C4056	U50510	U50510	U50510	U50510	U50510	U50510
123	C4057	U50510	U50510	U50510	U50510	U50510	U50510
124	C4058	U50510	U50510	U50510	U50510	U50510	U50510
125	C4059	U50510	U50510	U50510	U50510	U50510	U50510
126	C4060	U50510	U50510	U50510	U50510	U50510	U50510
127	C4061	U50510	U50510	U50510	U50510	U50510	U50510
128	C4062	U50510	U50510	U50510	U50510	U50510	U50510
129	C4063	U50510	U50510	U50510	U50510	U50510	U50510
130	C4064	U50510	U50510	U50510	U50510	U50510	U50510
131	C4065	U50510	U50510	U50510	U50510	U50510	U50510
132	C4066	U50510	U50510	U50510	U50510	U50510	U50510
133	C4067	U50510	U50510	U50510	U50510	U50510	U50510
134	C4068	U50510	U50510	U50510	U50510	U50510	U50510
135	C4069	U50510	U50510	U50510	U50510	U50510	U50510
136	C4070	U50510	U50510	U50510	U50510	U50510	U50510
137	C4071	U50510	U50510	U50510	U50510	U50510	U50510
138	C4072	U50510	U50510	U50510	U50510	U50510	U50510
139	C4073	U50510	U50510	U50510	U50510	U50510	U50510
140	C4074	U50510	U50510	U50510	U50510	U50510	U50510

IC401: R2A15218FP 8-channel electronic volume with 11 input selector and tone control



IC402: LC72725KM-UY-TLM-E RDS signal demodulation IC



CAPACITOR

REMARKS	PARTS NAME	UNIT
NO MARK	ELECTROLYTIC CAPACITOR	μF
NO MARK	TANTALUM CAPACITOR	μF
NO MARK	CERAMIC CAPACITOR	pF
NO MARK	CERAMIC TUBULAR CAPACITOR	pF
NO MARK	POLYESTER FILM CAPACITOR	pF
NO MARK	POLYPROPYLENE FILM CAPACITOR	pF
NO MARK	MICA CAPACITOR	pF
NO MARK	POLYPROPYLENE FILM CAPACITOR	pF
NO MARK	SEMICONDUCTIVE CERAMIC CAPACITOR	pF

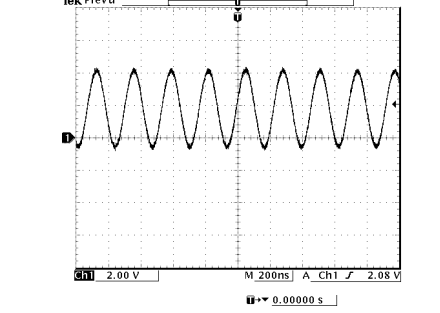
NOTICE (mode)

(J) JAPAN
(U) U.S.A.
(C) CANADA
(R) GENERAL
(T) CHINA
(K) KOREA
(A) AUSTRALIA
(B) BRITISH
(E) EUROPE
(L) SINGAPORE
(S) SOUTH EUROPE
(V) TAIWAN
(F) RUSSIAN

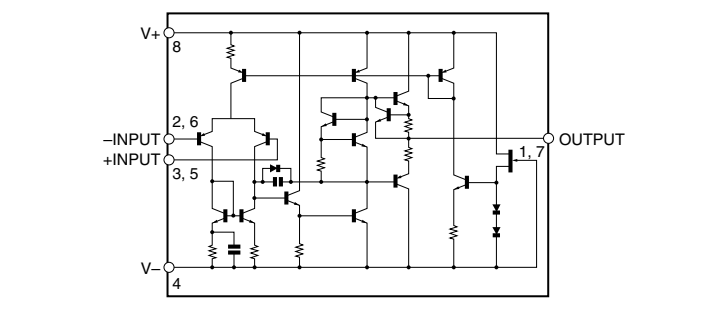
RESISTOR

REMARKS	PARTS NAME	UNIT
NO MARK	CARBON FILM RESISTOR (P=5)	Ω
NO MARK	CARBON FILM RESISTOR (P=10)	Ω
NO MARK	METAL OXIDE FILM RESISTOR	Ω
NO MARK	METAL FILM RESISTOR	Ω
NO MARK	METAL PLATE RESISTOR	Ω
NO MARK	FIRE PROOF CARBON FILM RESISTOR	Ω
NO MARK	CEMENT MOLDED RESISTOR	Ω
NO MARK	SEMI-VARIABLE RESISTOR	Ω
NO MARK	CHIP RESISTOR	Ω

POINT (C2) XL401 (Pin 13 of IC402)



IC403-407: NJM4565M Dual operational amplifier



* All voltages are measured with a 10MΩ DC electronic voltmeter.
* Components having special characteristics are marked with a triangle and must be replaced with parts having specifications equal to those originally installed.
* Schematic diagram is subject to change without notice.

VIDEO 1/2

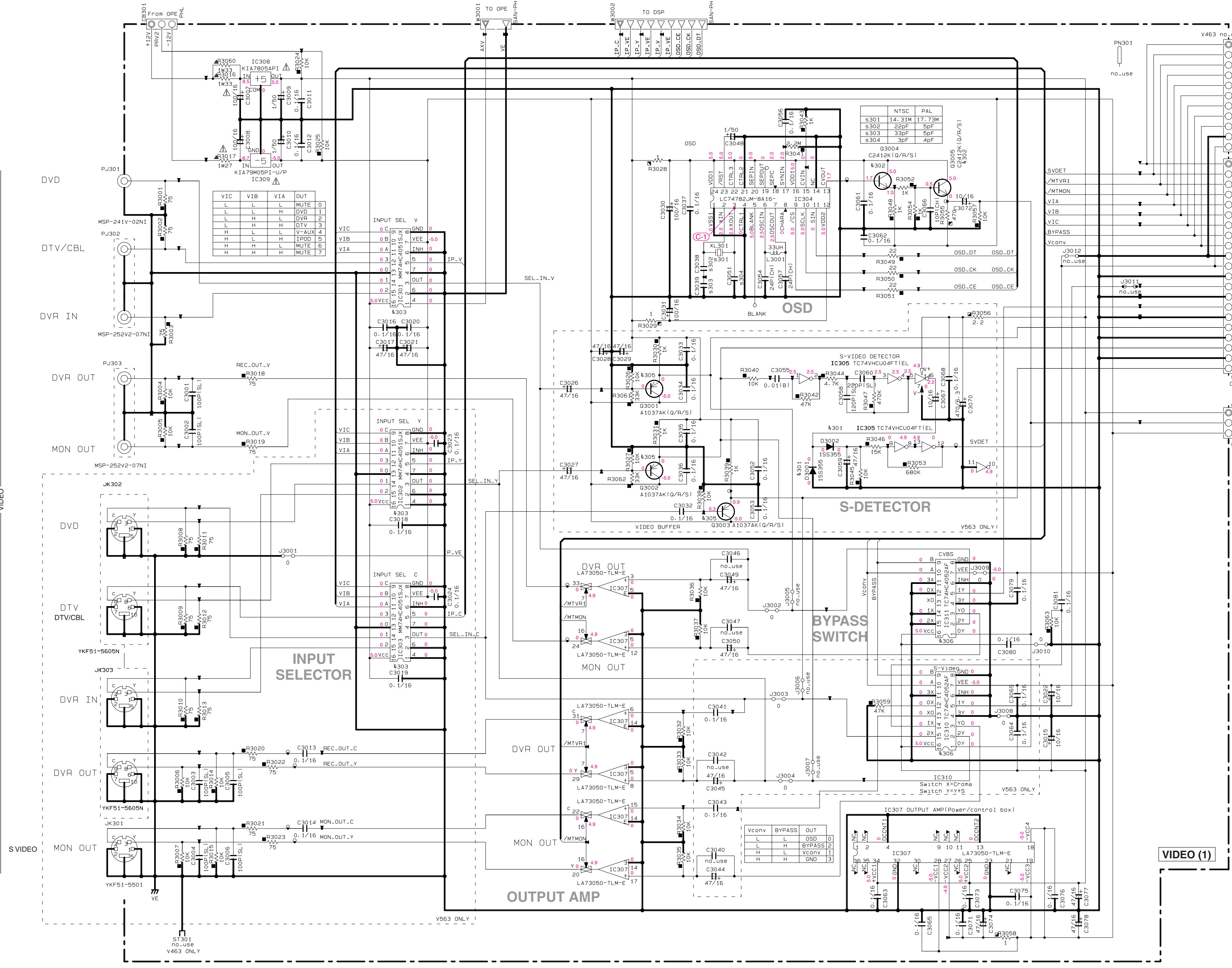
Page 92 [B3] to OPERATION (2)_W701

Page 91 [M2] to OPERATION (8)_CB609

Page 85 [B3] to DSP_CB32

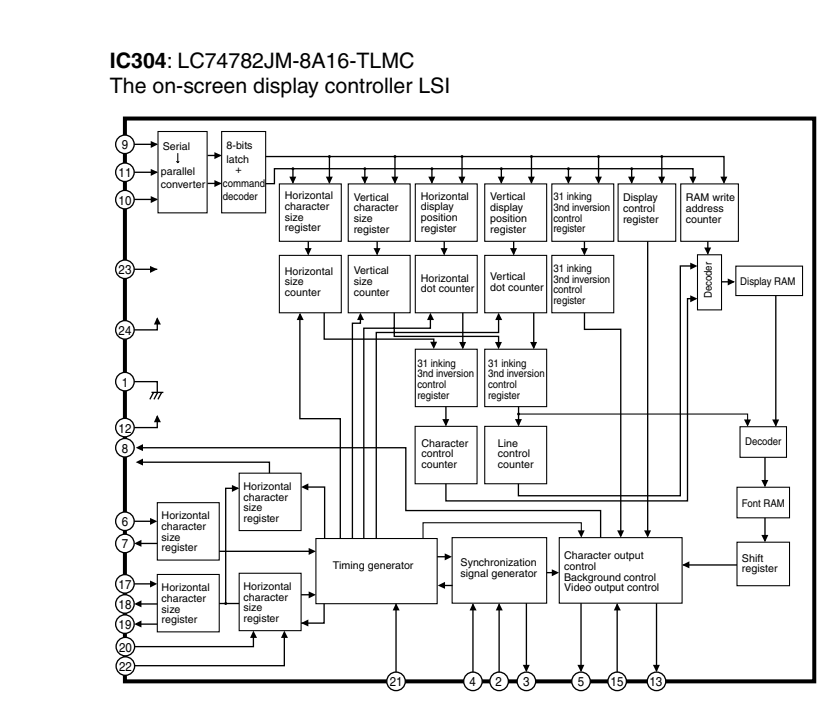
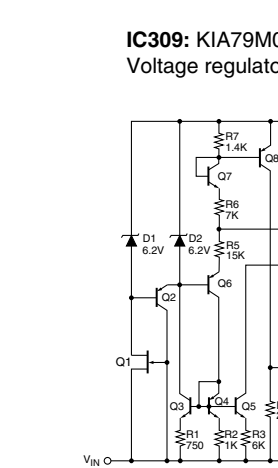
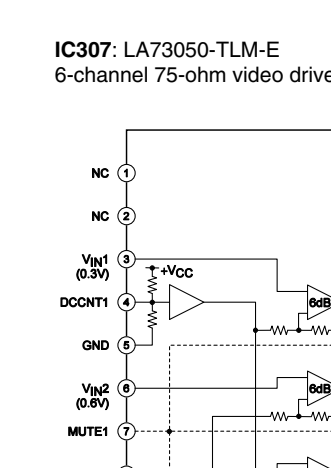
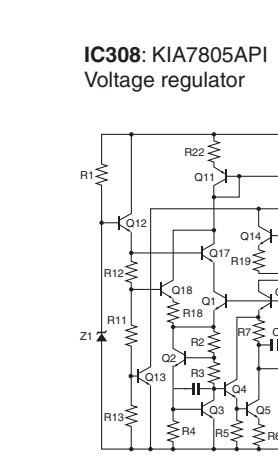
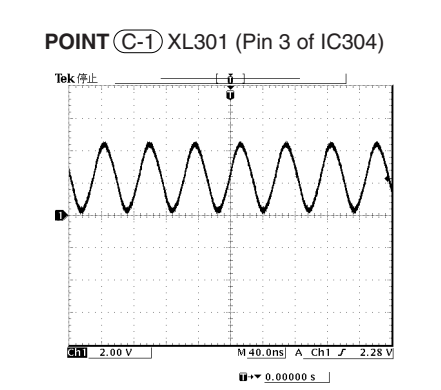
Interchangeable Parts at Manufacture-Stage

Mark	Reference Parts Number	Parts Name
4301	D3001-3002-3201-3217 D3651-3652	1SS355 MA2J1110GL
4302	Q3004-3005	2SC2412K (Q/R/S) 2SD691ARL/AQL (Q/R/S) KT3C3875S-Y-GR-RTK/P
4303	IC301-303	MM74HC4051SJX-NL TC74HC4051AF [EL.F]
4304	IC327	MM74HC4053SJX-NL TC74HC4053AF [EL.F]
4305	Q3001-3003-3201-3203	2SA1037AK (Q/R/S) KTA1504S-Y-GR-RTK/P
4306	IC310-311-321-324	TC74HC4052AF [EL.F] MM74HC4052SJX-NL
4307	D3401-3501-3502	H5S104 1SS133 1SS176
4308	Q3402-3404	2SA1015(Y) KTA1266(Y)
4309	D3501-3503	DTA114ESA KRA102M-AT



Page 84 [M3] to DSP_CB21

Page 96 [C1] to VIDEO (2)_CB325

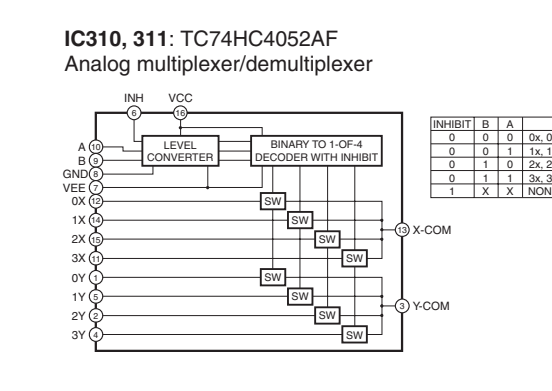
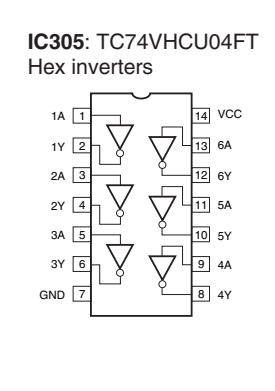
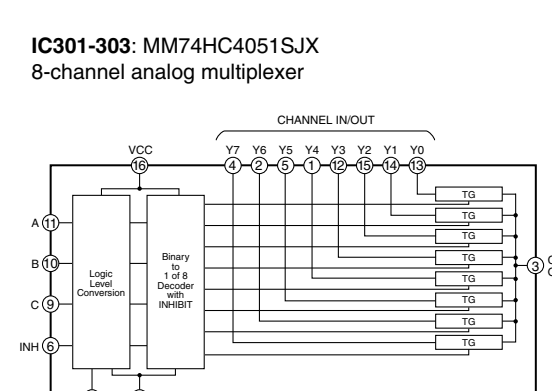


NOTICE (model1)

(J)..... JAPAN
 (U)..... U.S.A
 (C)..... CANADA
 (R)..... GENERAL
 (T)..... CHINA
 (K)..... KOREA
 (A)..... AUSTRALIA
 (B)..... BRITISH
 (G)..... EUROPE
 (L)..... SINGAPORE
 (E)..... SOUTH EUROPE
 (V)..... TAIWAN
 (F)..... RUSSIAN

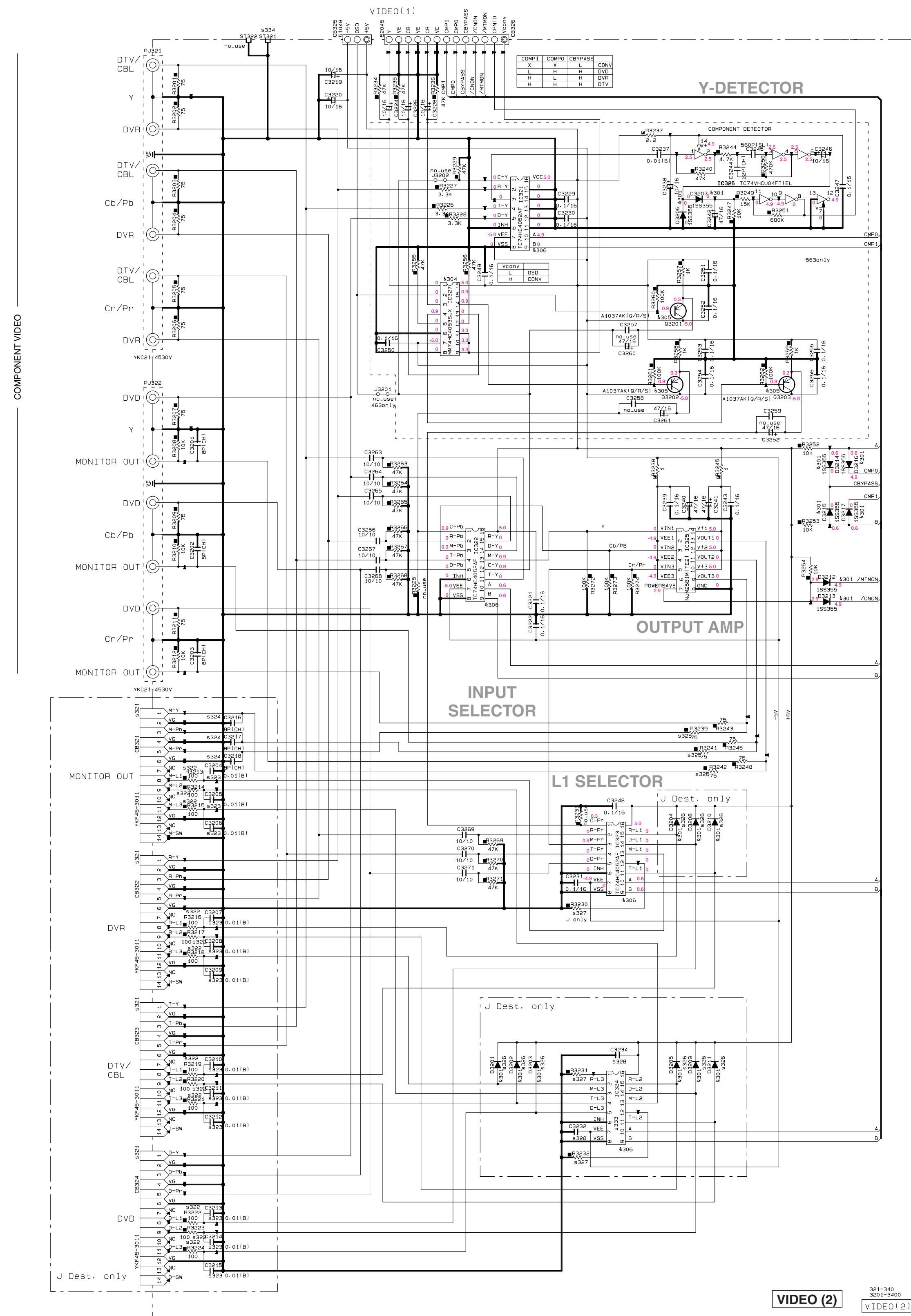
REMARKS	PARTS NAME
NO MARK	CARBON FILM RESISTOR (P=5)
□	CARBON FILM RESISTOR (P=10)
△	METAL OXIDE FILM RESISTOR
T	METAL FILM RESISTOR
⊠	METAL PLATE RESISTOR
⊞	FIRE PROOF CARBON FILM RESISTOR
⊞	CEMENT MOLDED RESISTOR
⊞	SEMI VARIABLE RESISTOR
⊞	CHIP RESISTOR

REMARKS	PARTS NAME
NO MARK	ELECTROLYTIC CAPACITOR
⊞	TANTALUM CAPACITOR
NO MARK	CERAMIC CAPACITOR
⊞	CERAMIC TUBULAR CAPACITOR
⊞	POLYESTER FILM CAPACITOR
⊞	POLYSTYRENE FILM CAPACITOR
⊞	MICA CAPACITOR
⊞	POLYPROPYLENE FILM CAPACITOR
⊞	SEMICONDUCTIVE CERAMIC CAPACITOR



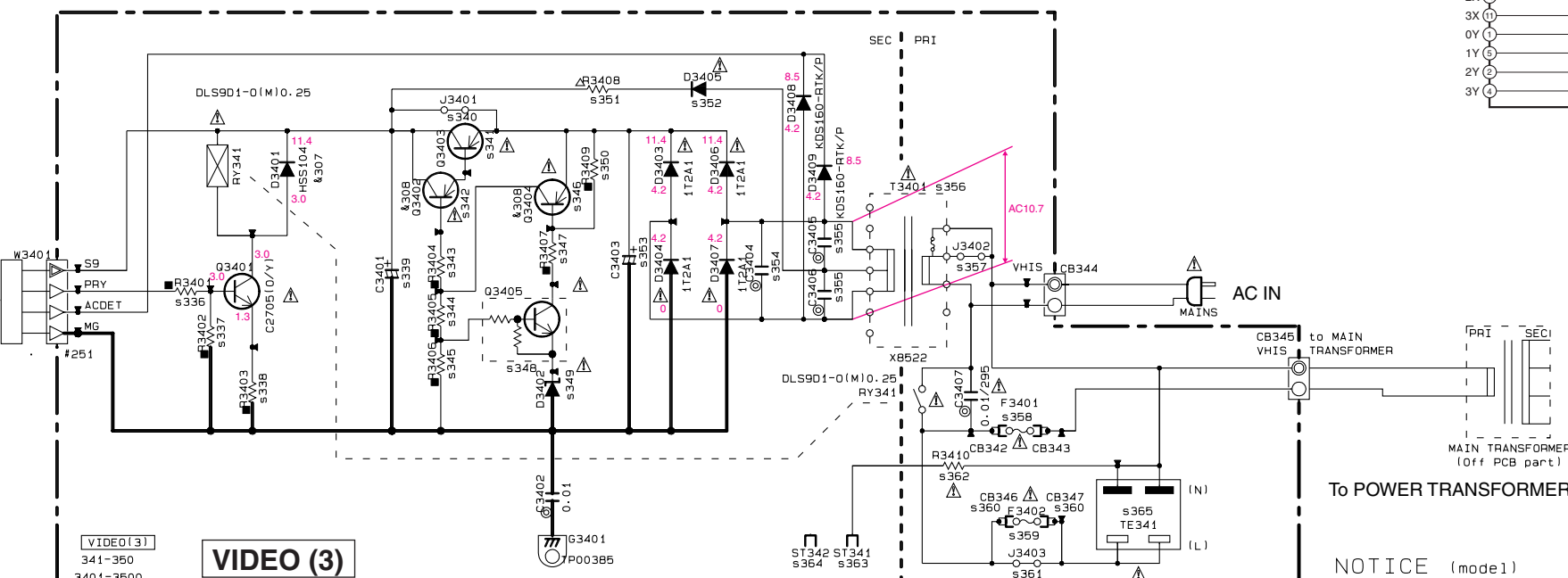
* All voltages are measured with a 10MΩ/V DC electronic voltmeter.
 * Components having special characteristics are marked ! and must be replaced with parts having specifications equal to those originally installed.
 * Schematic diagram is subject to change without notice.

Page 95 [K5] to VIDEO (1)_CB304
Page 84 [M5] to DSP_CB22



VIDEO (2)

Page 92 [B5] to OPERATION (2)_CB700



VIDEO (3)

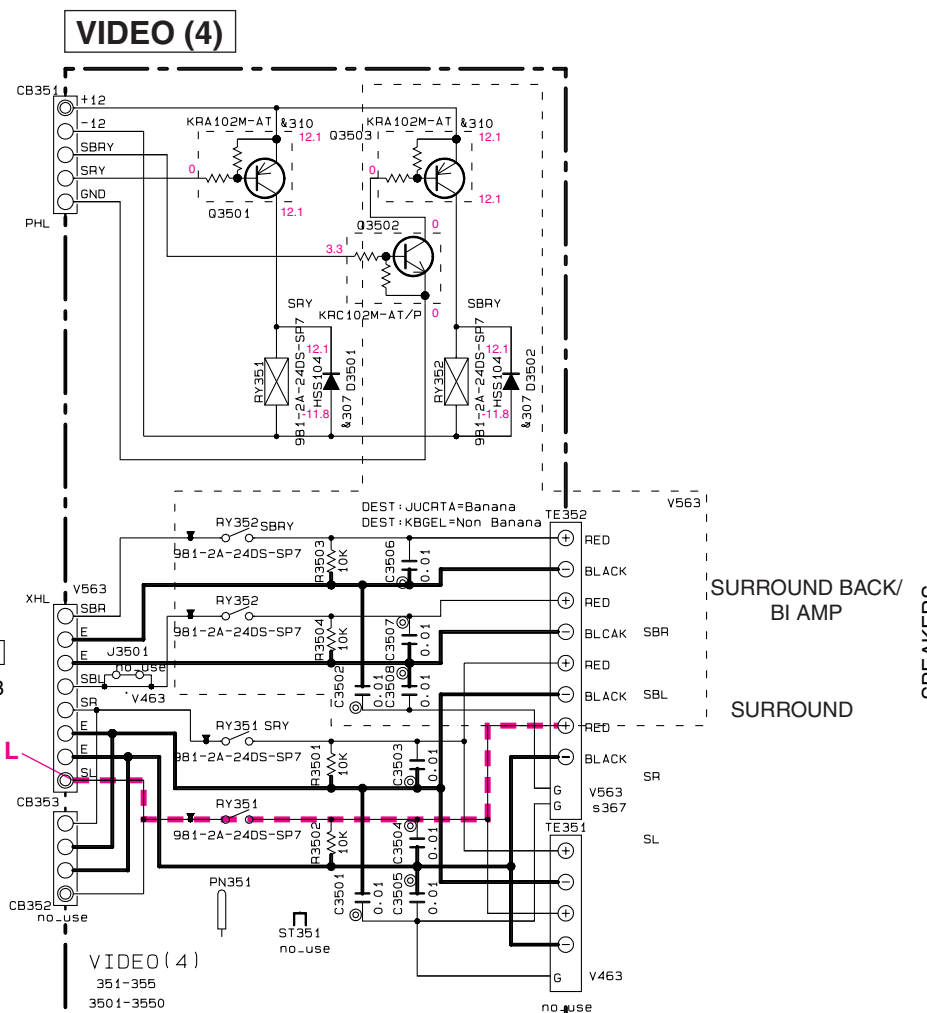
Table with 2 columns: RESISTOR and CAPACITOR. Lists parts names and values for various components used in the circuit.

Table with 2 columns: RESISTOR and CAPACITOR. Lists parts names and values for various components used in the circuit.

Table with 2 columns: RESISTOR and CAPACITOR. Lists parts names and values for various components used in the circuit.

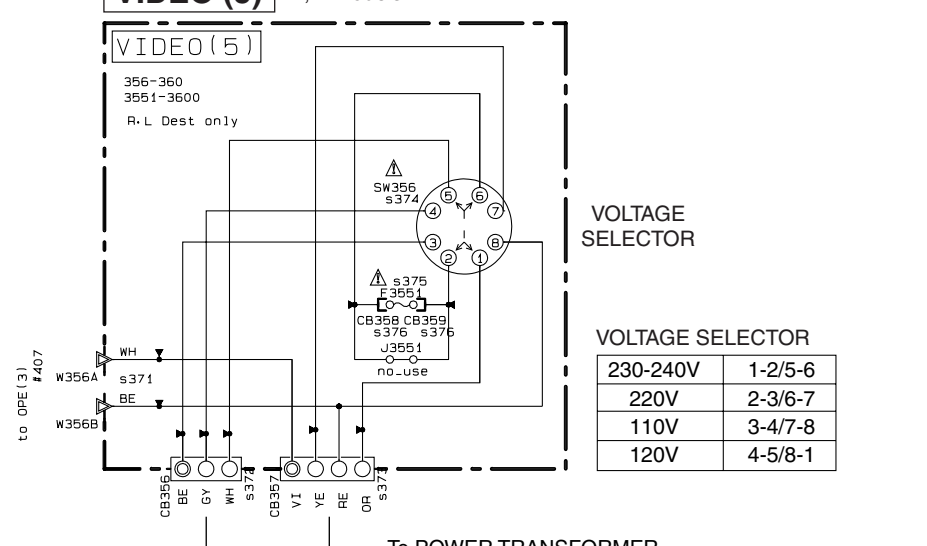
Table with 2 columns: RESISTOR and CAPACITOR. Lists parts names and values for various components used in the circuit.

Page 93 [L5] to MAIN_W502



VIDEO (4)

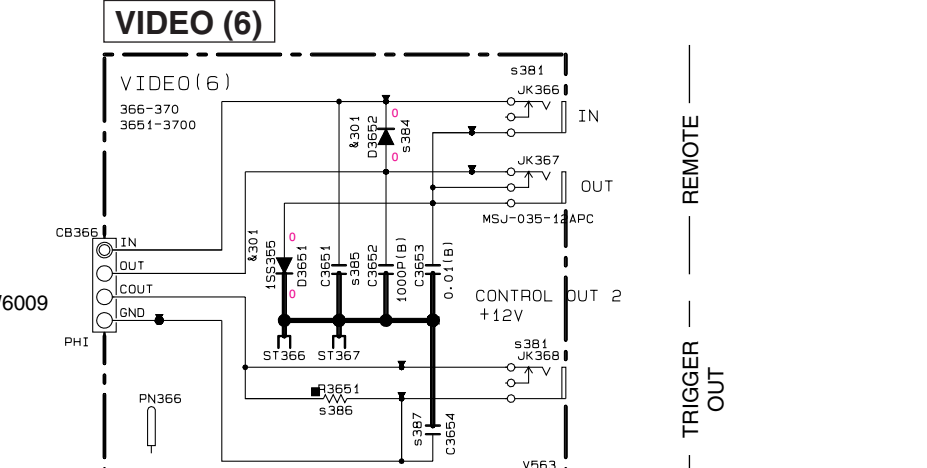
Page 93 [L5] to MAIN_W503



VIDEO (5) R, L models

VOLTAGE SELECTOR table with 2 columns: 230-240V, 220V, 110V, 120V and 1-2/5-6, 2-3/6-7, 3-4/7-8, 4-5/8-1.

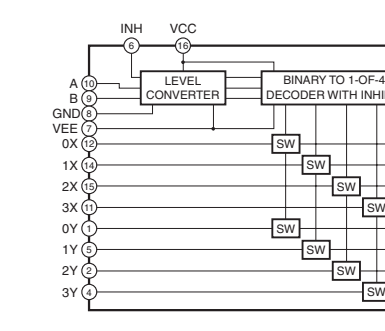
Page 91 [D8] to OPERATION (1)_W6009



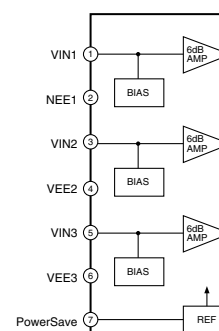
VIDEO (6)

Large table with columns: Dest. Part List, SXX, LDC, IC, D, T, K, A, B, SFF, L. It lists various electronic components and their specifications.

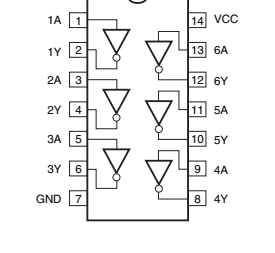
IC321-323: TC74HC4052AF Analog multiplexer/demultiplexer



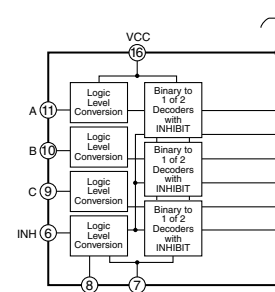
IC325: NJM2581M Video amplifier



IC326: TC74VHC04FT Hex inverters



IC327: MM74HC4053JX Triple 2-channel analog multiplexer



NOTICE (model) (J)..... JAPAN (U)..... U.S.A (C)..... CANADA (E)..... GENERAL (T)..... CHINA (K)..... KOREA (A)..... AUSTRALIA (B)..... BRITISH (G)..... EUROPE (L)..... SINGAPORE (E)..... SOUTH EUROPE (Y)..... TAIWAN (F)..... RUSSIAN

* All voltages are measured with a 10MΩ/V DC electronic voltmeter. * Components having special characteristics are marked with a star symbol. * Schematic diagram is subject to change without notice.